

TABLE OF CONTENTS

Parts Manual VMC 4020 MODEL



COLUMN ASSEMBLY.....	2
10K RPM HEAD ASSEMBLY	4
BASE,SADDLE AND TABLE ASSEMBLY.....	6
X-AXIS SCALE ASSEMBLY	8
Y-AXIS SCALE ASSEMBLY	9
DRAWBAR CYLINDER ASSEMBLY.....	10
ORIENTATION BRIDGE ASSEMBLY.....	11
IDLER ASSEMBLIES.....	13
WAYLUBE ASSEMBLY	15
ATC GENEVA DRIVE ASSEMBLY	16
ATC SERVO DRIVE ASSEMBLY.....	18
DUAL ARM TOOL CHANGER.....	20
7500 RPM SPINDLE ASSEMBLY.....	21
10K RPM SPINDLE ASSEMBLY.....	22
COOLANT THROUGH SPINDLE	23
CNC CABINET ASSEMBLY	24
CARD CAGE ASSEMBLY.....	25
POWER JUNCTION CABINET ASSEMBLY	26
CHILLER CABINET ASSEMBLY.....	27
MP PENDANT ASSEMBLY	28
88HS PENDANT ASSEMBLY.....	29
FRONT DOOR ASSEMBLY	30
WAY COVER ASSEMBLY	31
SHEETMETAL HOUSING.....	32
SHEETMETAL HOUSING SLANT 98	33
COOLANT TANK ASSEMBLY SLANT 98	36
CE CNC CABINET SLANT 98.....	40
JUNCTION BOX SLANT 98	42
7500 RPM COOLANT TANK.....	44
7500 RPM COOLANT THROUGH TANK.....	45
10K RPM COOLANT TANK.....	46
10K RPM COOLANT THROUGH TANK.....	47

This reference covers the following Fadal products:

Model VMC 4020

Corporate Office..... voice (818) 407-1400 fax (818) 407-0020
Service / Parts voice (818) 727-2100 fax (818) 407-1004
Programming Support voice (818) 727-2100 fax (818) 407-0061

support@fadal.com
20701 Plummer Street, Chatsworth, California 91311 USA

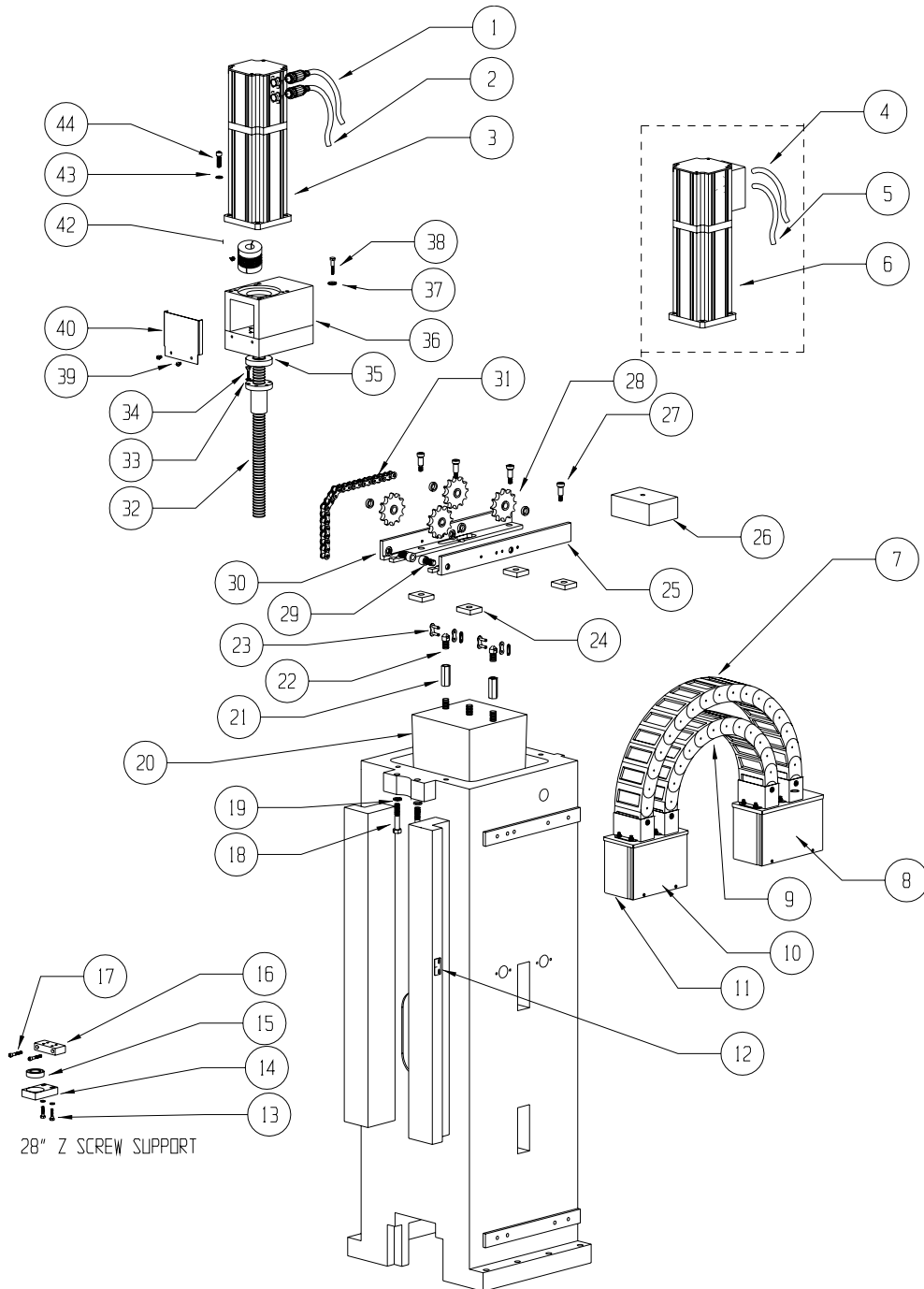
The content of this manual has been reviewed for accuracy and is applicable to current Fadal hardware and software products as described herein. Differences may exist and we cannot guarantee that they are completely covered in this document. The information in this document is reviewed regularly and any necessary changes will be incorporated in the next revision. We welcome any suggestions for improvement.

Material is subject to change without notice.

This manual is for the exclusive use of Fadal Customers and Distributors. The reproduction, transmission or use of this document or its contents is not permitted without the expressed written permission of Fadal Machining Centers. All rights, including rights created by patent grant or registration of a utility, model or design, are reserved.

© Copyright 2001 Fadal Machining Centers.

COLUMN ASSEMBLY

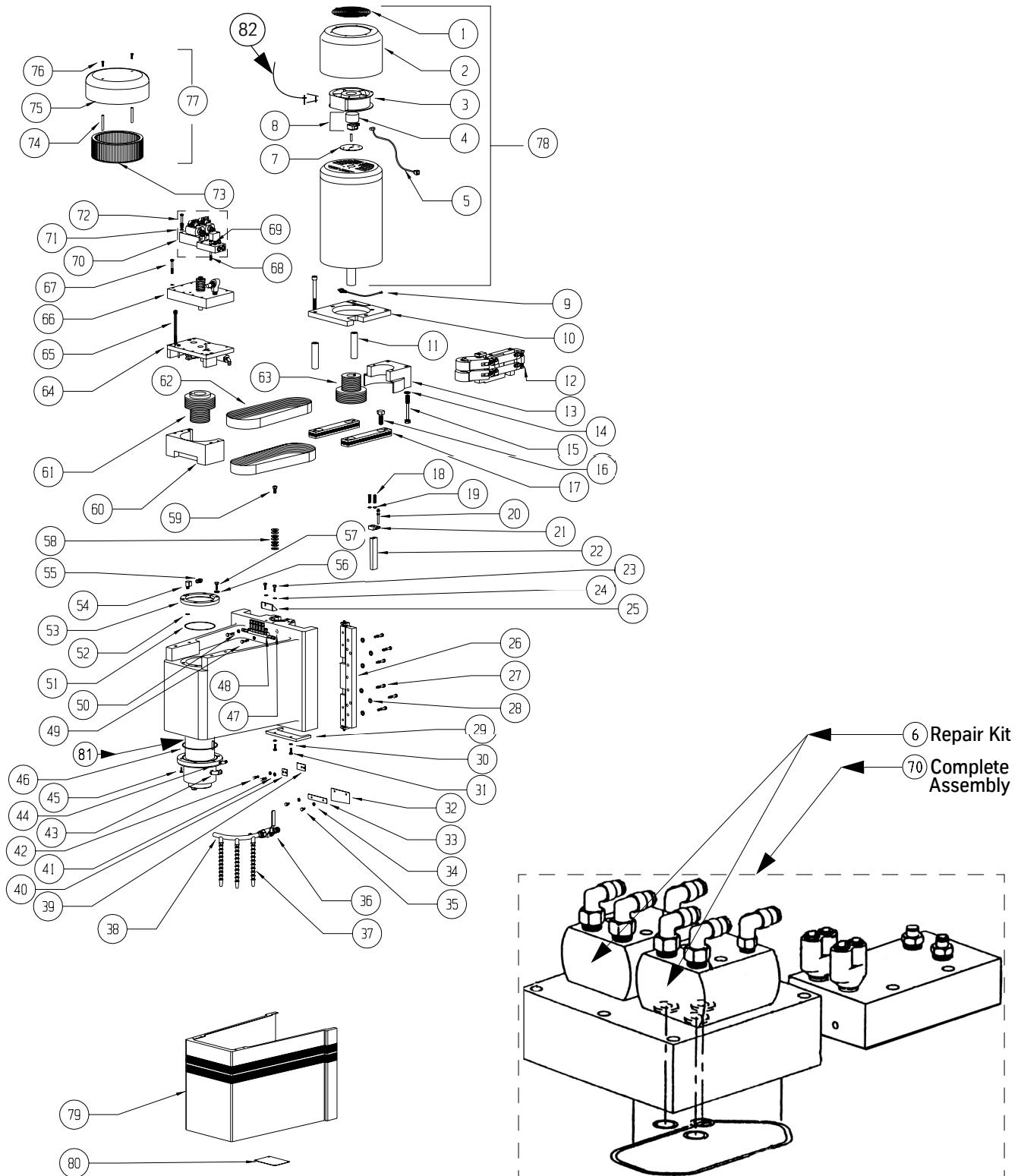


COLUMN ASSEMBLY

COLUMN ASSEMBLY

	PART #		PART #		PART #		PART #
1	WIR-0612	13	HDW-0317	24	HDW-0363	33	HDW-0281
2	WIR-0611		HDW-0048	25	CWT-0005	34	HDW-0319
3	MTR-0142	14	BLS-0042	26	CWT-0002	35	BLS-0105
4	WIR-0558	15	BRG-0023	27	HDW-0600	36	BLS-0032
5	WIR-0559	16	BLS-0041	28	PUL-0034	37	HDW-0049
6	MTR-0126	17	HDW-0297	29	HDW-0777	38	HDW-0315
7	CVR-0074	18	HDW-0655	30	CWT-0007	39	HDW-0347
8	STM-0072	19	HDW-0050	31	HDW-0205	40	STM-0043
9	CVR-0072	20	CWT-0018	32	BLS-0024 (28")	41	
10	STM-0300	21	HDW-0335		BLS-0031 (20")	42	MTR-0189
11	STM-0301	22	CWT-0001			43	HDW-0280
12	STM-0044	23	HDW-0204			44	HDW-0779

10K RPM HEAD ASSEMBLY



10K RPM HEAD ASSEMBLY

10K RPM HEAD ASSEMBLY

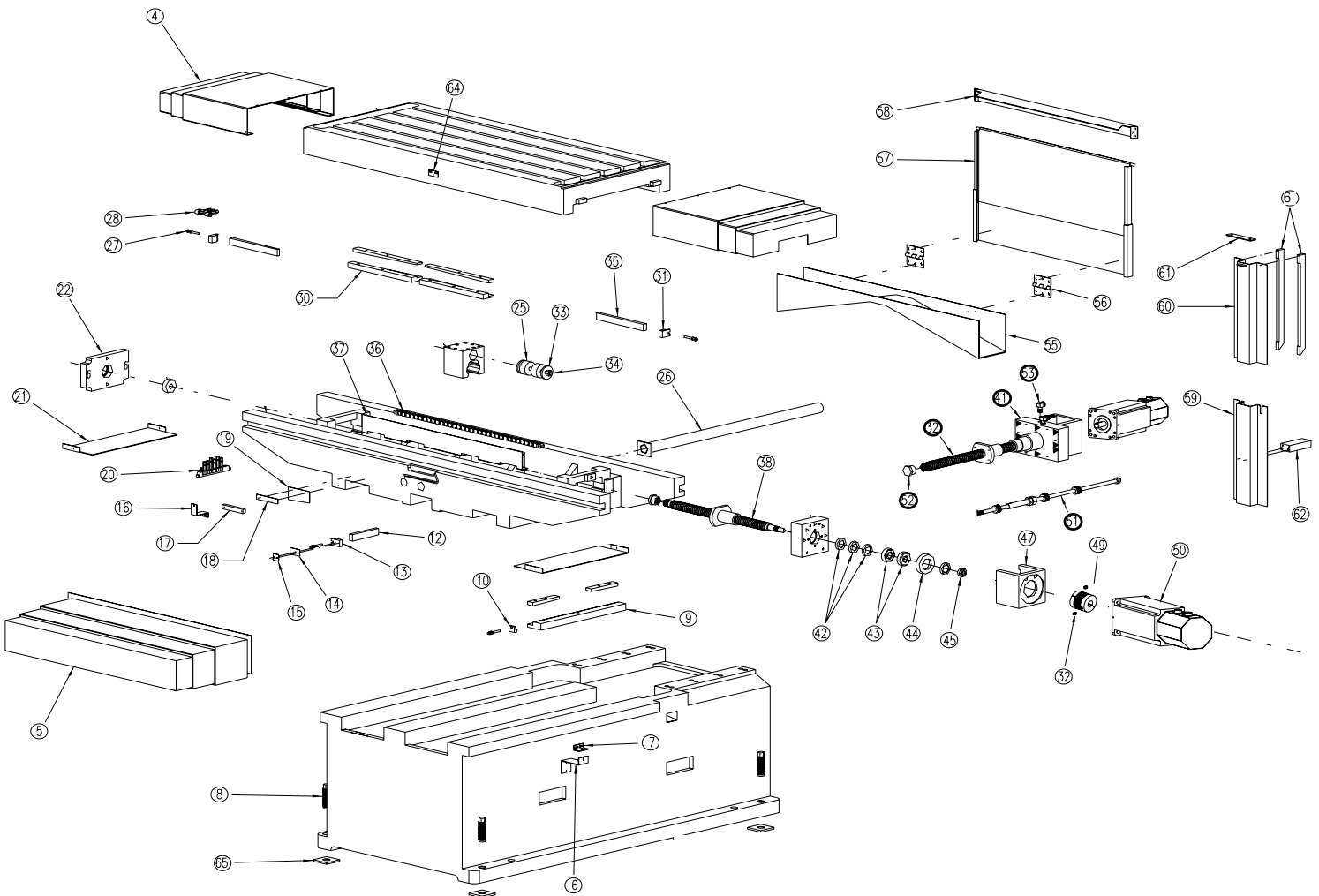
	PART #		PART #		PART #
1	HDW-0851	30	HDW-0279	59	HDW-0553
2	STM-0139	31	HDW-0322	60	BEL-0014
3	ELE-0124	32	HDW-0356	61	PUL-0018
4	MTR-0123	33	STM-0052	62	BEL-0024
5	WIR-0168	34	HDW-0279	63	PUL-0019
6	HYD-0018	35	HDW-0319	64	ORB-0001
7	STM-0148	36	VLV-0017	65	HDW-0290
8	ENC-0007	37	PLM-0016	66	DRB-0000
9	HDW-0369	38	CNT-0039	67	HDW-0320
10	MTR-0070	39	HDW-0294	68	HDW-0321 (HT)
11	MTR-0079	40	STM-0042	69	HDW-0279 (HT)
12	IDL-0002	41	HDW-0279	70	HYD-0017 (HT)
	IDL-0003(HT)				
13	BEL-0015	42	HDW-0294	71	HDW-0279 (HT)
14	HDW-0451	43	PLM-0112	72	HDW-0320 (HT)
15	HDW-0311	44	PLM-0034	73	MTR-0127
16	HDW-0283	45	HDW-0470	74	SVT-0108
17	MTR-0068	46	HDW-0181	75	STM-0467
	MTR-0064				
18	HDW-0294	47	HDW-0380	76	HDW-0597
19	HDW-0279	48	LUB-0045	77	MTR-0128
20	GIB-0013	49	HDW-0576	78	MTR-0045 (10HP) ⁽²⁾
21	GIB-0010	50	HDW-0279		MTR-0048 (15HP)
22	GIB-0033	51	HDW-0148	79	
23	HDW-0320	52	HDW-0177	80	CVR-0152
24	HDW-0279	53	SPN-0042	81	SPN-0007 ⁽²⁾
25	STM-0141	54	PLM-0045	82	WIR-0128
26	GIB-0004	55	PLM-0088		
27	HDW-0569	56	HDW-0275		
28	HDW-0280	57	HDW-0568		
29	CVR-0048	58	HDW-0194		

¹MTR-0045 INCLUDES: PUL-0019

²SPN-0007 INCLUDES: HDW-0181, HDW-0177, HDW-0148, PUL-0018.

(HT)=High Torque Option

BASE, SADDLE & TABLE ASSEMBLY



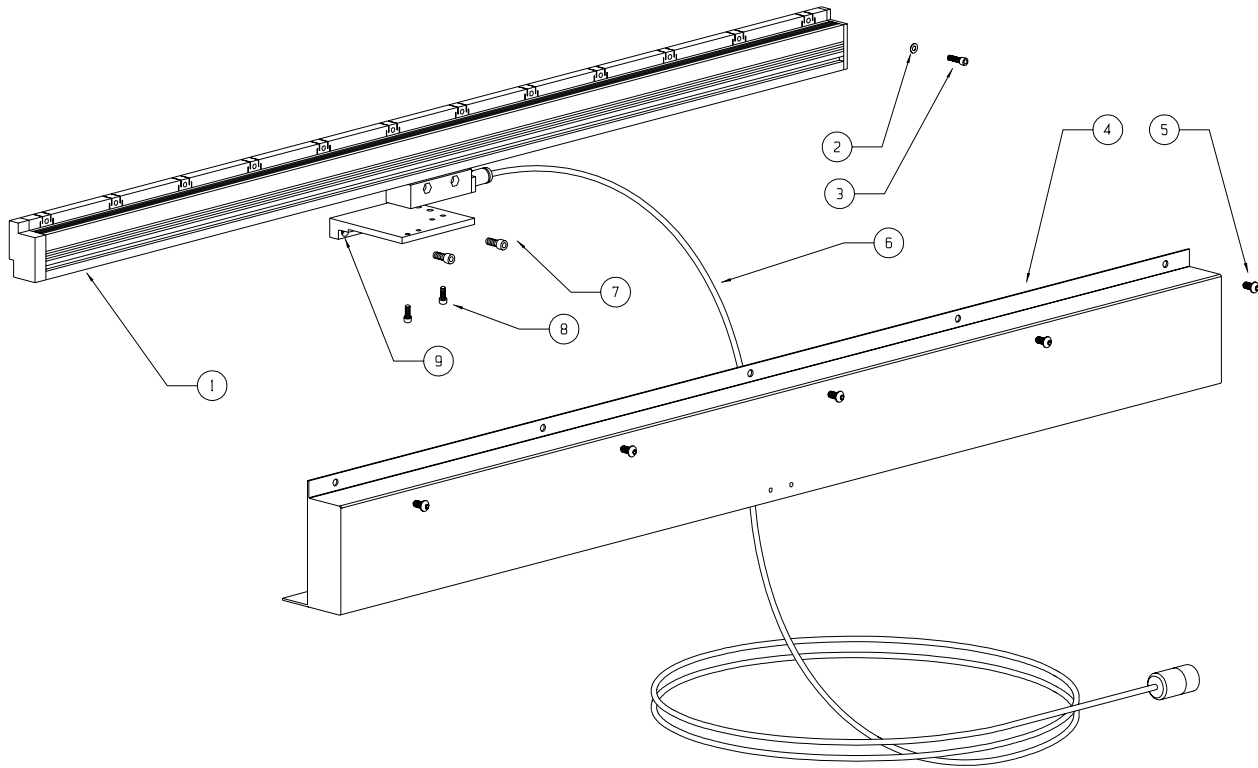
BASE, SADDLE & TABLE ASSEMBLY

BASE ASSEMBLY

	PART #		PART #		PART #		PART #		PART #
1		14	HDW-0355	27	GIB-0013	40		53	PLM-0112
2		15	STM-0042	28	LUB-0044	41	BLS-0038	54	
3		16	STM-0045	29		42	HDW-0213	55	STM-0053
4	CVR-0043	17	SDL-0007	30	GIB-0016	43	BRG-0039	56	HDW-0192
5	CVR-0023	18	STM-0052	31	GIB-0011	44	BLS-0039	57	CVR-0042
6	STM-0112	19	HDW-0356	32	BLS-0037	45	HDW-0332	58	STM-0164
7	STM-0047	20	WIB-0043	33	HDW-0859	46		59	CVR-0035
8	HDW-0374	21	STM-0812	34	HDW-0312	47	BLS-0035	60	CVR-0034
9	GIB-0004	22	BLS-0036	35	GIB-0000	48		61	CVR-0030
10	GIB-0012	23		36	CVR-0039	49	MTR-0189	62	CVR-0036
11		24		37	STM-0075	50	MTR-0142	63	STM-0044
12	GIB-0010	25	HDW-0357	38	BLS-0034	51	HDW-0145	64	SHP-0002
13	GIB-0010	26	STM-0629	39	BLS-0174	52	BLS-0049	65	CVR-0031

*Specify gib size when ordering.

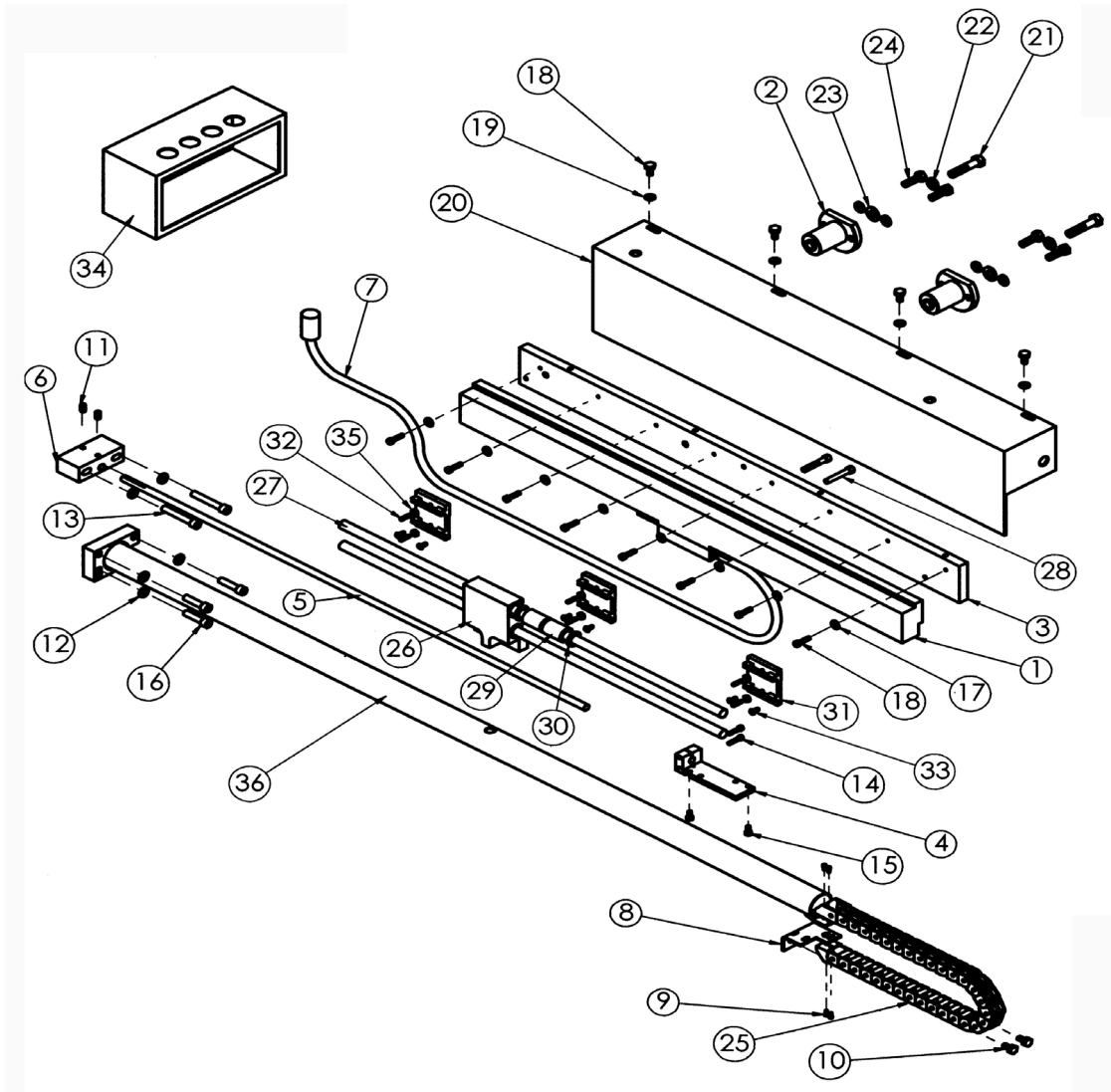
X-AXIS SCALE ASSEMBLY



X AXIS SCALE ASSEMBLY

	PART #		PART #
1	SCL-0026	6	SCL-0030
2	HDW-0442	7	HDW-0295
3	HDW-0303	8	HDW-0282
4	STM-0177	9	SCL-0036
5	HDW-0347		

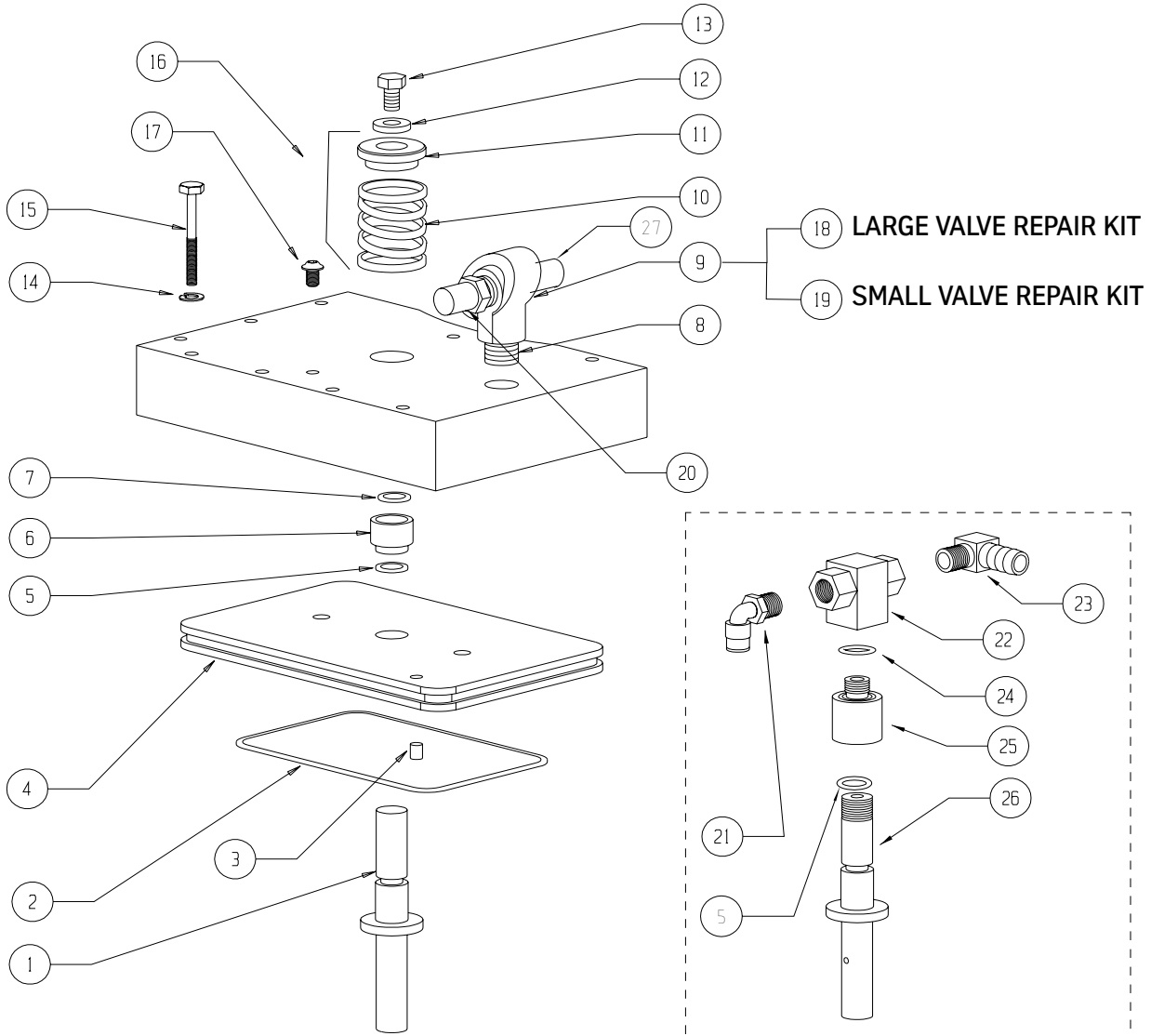
Y-AXIS SCALE ASSEMBLY



Y-AXIS SCALE ASSEMBLY

	PART #		PART #		PART #		PART #		PART #
1	SCL-0002	9	HDW-0308	17	HDW-0449	25	CVR-0134	33	HDW-0383
2	SCL-0042	10	HDW-0319	18	HDW-0303	26	SCL-0078	34	STM-0179
3	SCL-0037	11	HDW-0408	19	HDW-0279	27	SCL-0065	35	HDW-0808
4	SCL-0044	12	HDW-0281	20	STM-0179	28	HDW-0297	36	SCL-0115
5	SCL-0046	13	HDW-0484	21	HDW-0656	29	BRG-0121		
6	SCL-0045	14	HDW-0505	22	HDW-0280	30	HDW-0759		
7	SCL-0019	15	HDW-0304	23	HDW-0452	31	SCL-0076		
8	CVR-0136	16	HDW-0483	24	HDW-0314	32	HDW-0430		

DRAWBAR CYLINDER ASSEMBLY



Non-Coolant Thru Assembly DRB-0000

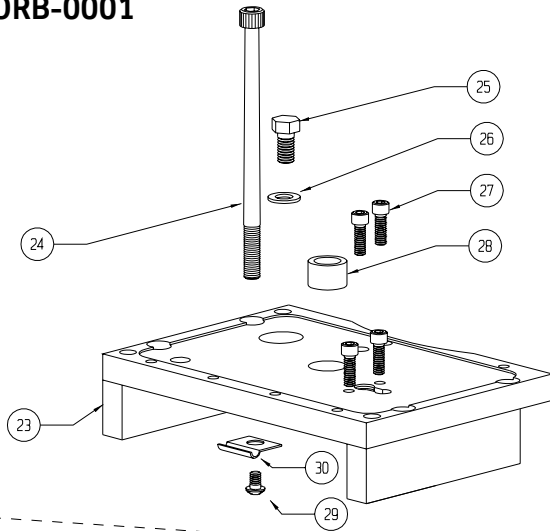
Coolant Thru Assembly DRB-0001

DRAWBAR ASSEMBLY

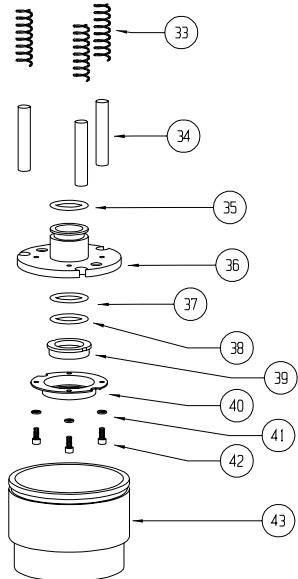
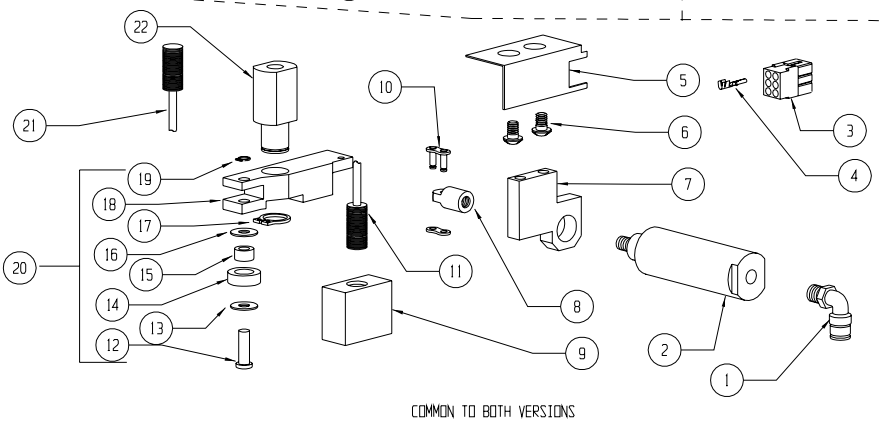
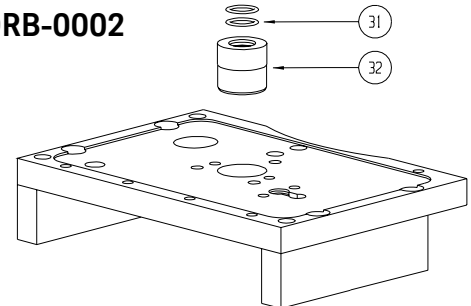
	PART #		PART #		PART #		PART #
1	DRB-0007	8	PLM-0117	15	HDW-0320	22	VLV-0021
2	HDW-0178	9	VLV-0031	16	HDW-0197	23	PLM-0105
3	ELE-0147	10	HDW-0262	17	HDW-0347	24	HDW-0150
4	DRB-0009	11	DRB-0017	18	VLV-0032	25	CNT-0046
5	HDW-0177	12	HDW-0048	19	VLV-0033	26	DRB-0008
6	DRB-0023	13	HDW-0575	20	PLM-0083	27	PLM-0030
7	HDW-0917	14	HDW-0279	21	PLM-0037		

ORIENTATION BRIDGE ASSEMBLY

ORB-0001



ORB-0002



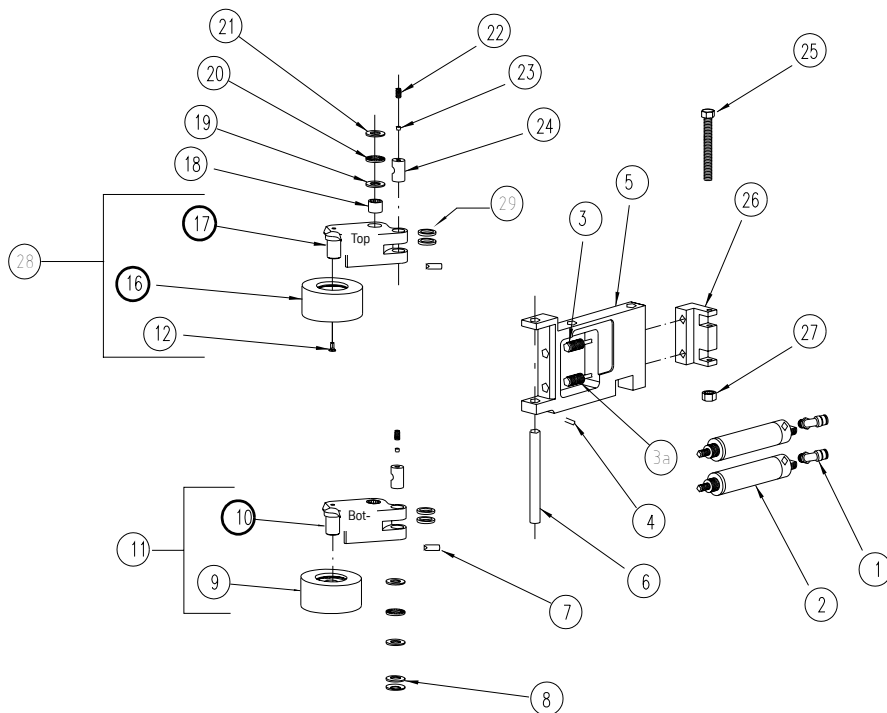
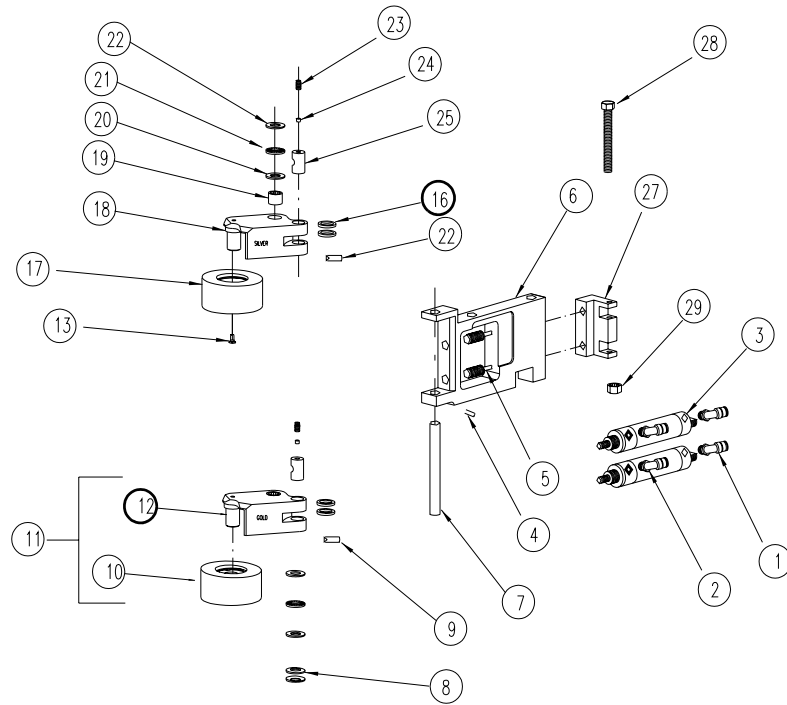
Seal Repair Kit CNT-0150

ORIENTATION BRIDGE ASSEMBLY

ORIENTATION BRIDGE ASSEMBLY

	PART #		PART #		PART #		PART #
1	PLM-0034	12	ORB-0007	26	HDW-0048	40	CNT-0045
2	CYL-0007	14	ORB-0009	27	HDW-0298	41	HDW-0453
3	WIR-0051	15	BRG-0014	28	BRG-0008	42	HDW-0308
4	WIR-0043 (16 AWG)	16	HDW-0515	29	HDW-0349	43	STM-0140
	WIR-0044 (16 AWG)	17	HDW-0725	30	LUB-0077		
	WIR-0544 (22 AWG)				LUB-0078		
	WIR-0056 (22 AWG)						
5	STM-0596	18	ORB-0031	31	HDW-0150		
6	HDW-0347	19	HDW-0726	32	CNT-0042		
7	ORB-0030	20	ORB-0004	33	HDW-0257		
7	ORB-0029	21	ELE-1202	34	HDW-0326		
8	ORB-0011	22	ORB-0013	35	HDW-0156		
9	ORB-0014	23	ORB-0008	36	CNT-0041		
10	HDW-0209	24	HDW-0285	37	HDW-0155		
11	ELE-0145	25	HDW-0571	38	HDW-0156		

IDLER ASSEMBLY



IDLER ASSEMBLY

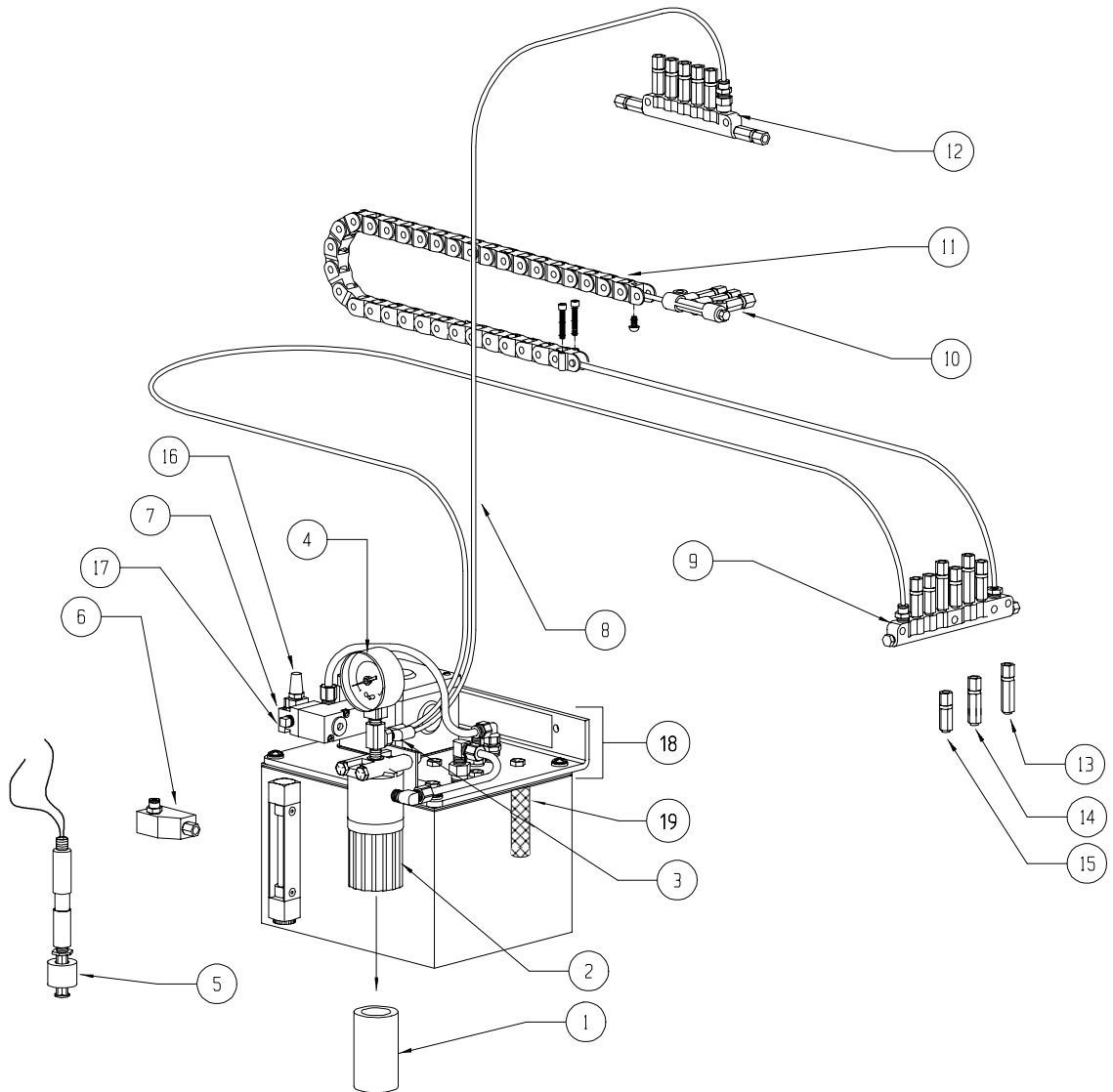
IDLER ASSEMBLY - HT OPTION

	PART #		PART #		PART #
1	PLM-0034	11	IDL-0000	21	BRG-0015
2	PLM-0034	12	IDL-0004	22	ELE-0147
3	CYL-0005	13	HDW-0412	23	HDW-0412
4	HDW-0612	14		24	HDW-0412
5	ELE-0145	15		25	IDL-0010
6	IDL-0011	16	HDW-0277	26	
7	IDL-0006	17	BRG-0058	27	IDL-0009
8	HDW-0196	18	IDL-0005	28	HDW-0579
9	ELE-0147	19	BRG-0017	29	HDW-0643
10	BRG-0058	20	BRG-0016		

IDLER ASSEMBLY

	PART #		PART #		PART #
1	PLM-0034	10	IDL-0004	21	BRG-0016
2	CYL-0006	11	IDL-0000	22	HDW-0412
3	ELE-0145	12	HDW-0605	23	IDL-0010
3a	ELE-1202			24	IDL-0012
4	HDW-0612			25	HDW-0579
5	IDL-0011	16	BRG-0058	26	IDL-0008
6	IDL-0006	17	IDL-0005	27	HDW-0643
7	ELE-0147	18	BRG-0017	28	IDL-0018
8	HDW-0196	19	BRG-0016	29	HDW-0277
9	BRG-0058	20	BRG-0015		

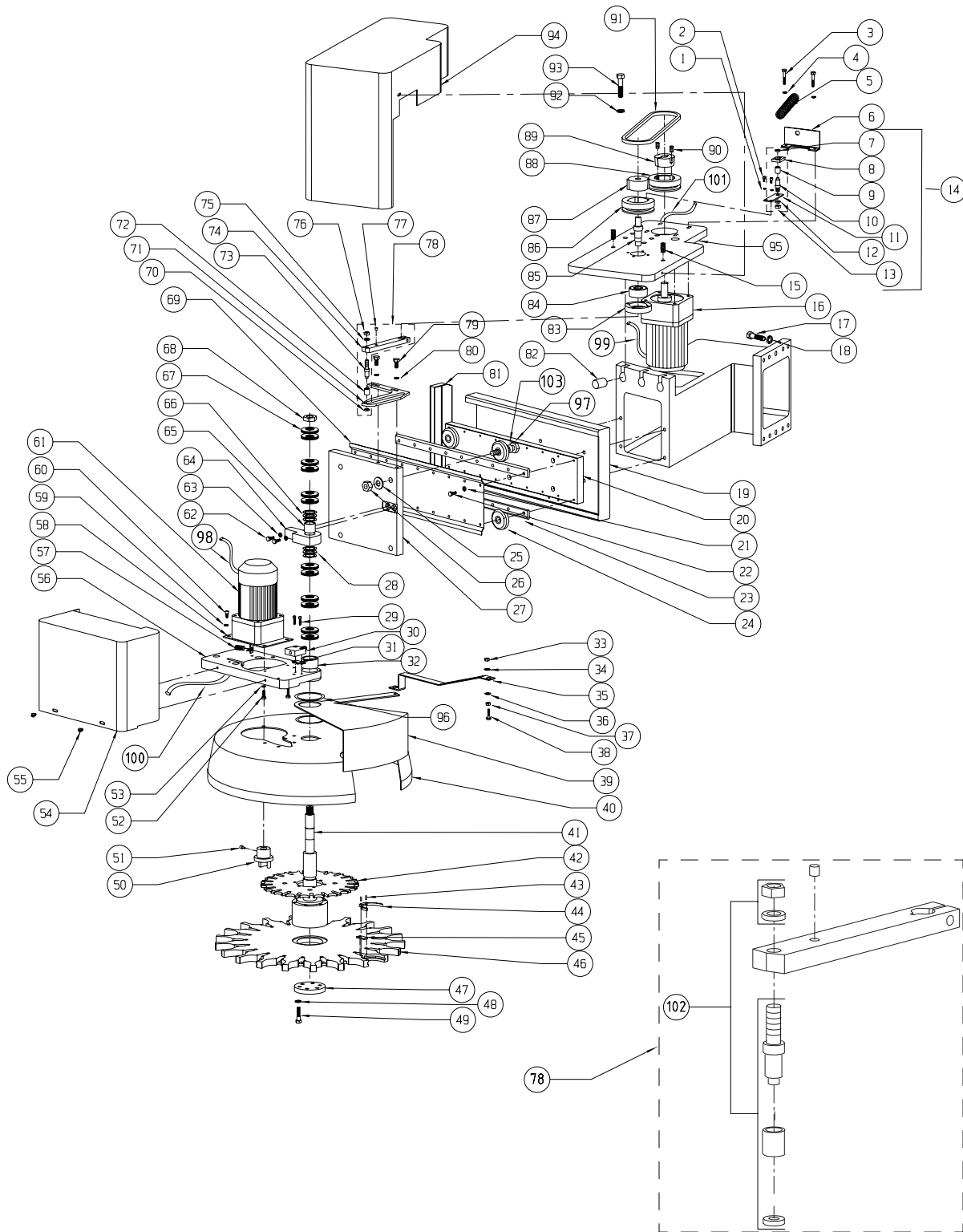
WAYLUBE ASSEMBLY



WAY LUBE ASSEMBLY

	PART #		PART #		PART #
1	LUB-0049	8	PLM-0022	15	LUB-0083
2	LUB-0050	9	LUB-0041	16	PLM-0084
3	PLM-0048	10	LUB-0044	17	PLM-0084
4	REG-0018	11	CVR-0041	18	LUB-0038
5	LUB-0036	12	CVR-0041	19	HDW-1039
6	LUB-0036	13	LUB-0085		
7	VLV-0028	14	LUB-0084		

ATC GENEVA DRIVE ASSEMBLY

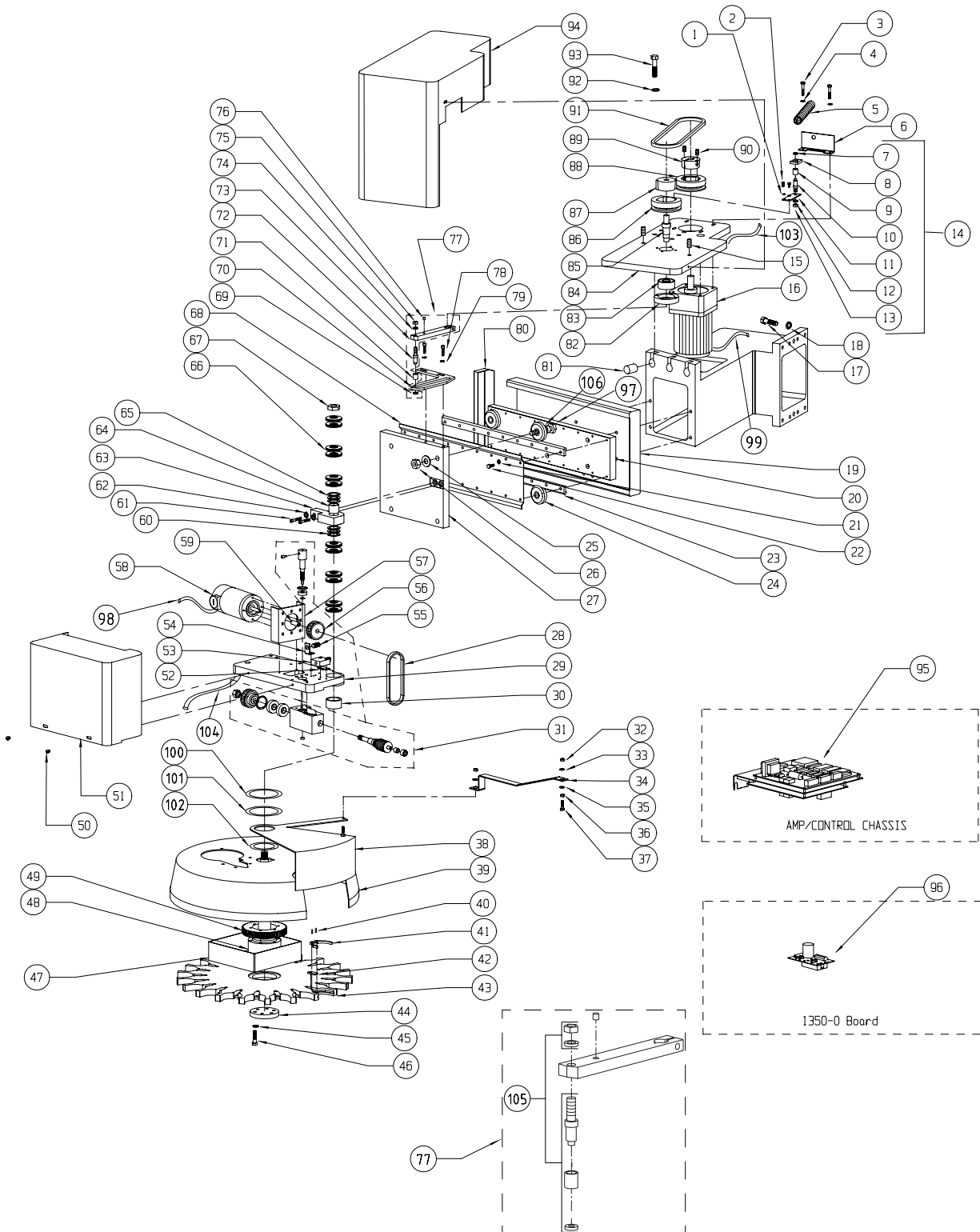


ATC GENEVA DRIVE ASSEMBLY

ATC ASSEMBLY

	PART #		PART #		PART #		PART #		PART #
1	HDW-0458	21	HDW-0279	41	ATC-0027	61	MTR-0134	82	ATC-0035
2	HDW-0304	22	HDW-0322	42	ATC-0025 (21)	62	HDW-0317	83	BLS-0040
3	HDW-0582	23	BRG-0034		ATC-0026 (30)	63	HDW-0281	84	BRG-0006
4	HDW-0279	24	BRG-0033	43	HDW-0328	64	*	85	ATC-0076
5	HDW-0259	25	HDW-0051	44	ATC-0028 (CAT)	65	BRG-0011	86	PUL-0029
6	STM-0291	26	HDW-0634		ATC-0029 (BT)	66	BRG-0010	87	PUL-0031
7	HDW-0443	27	*	45	ATC-0032	67	HDW-0193	88	PUL-0002
8	ATC-0077	28	BRG-0009	46	ATC-0009 (21)	68	HDW-0637	89	PUL-0003
9	BRG-0013	29	HDW-0771		ATC-0010 (21BT)	69	STM-0062	90	HDW-0400
10	ATC-0078	30	ELE-0385		ATC-0011 (30)	70	HDW-0047	91	BEL-0001
11	STM-0290	31	STM-0615		ATC-0012 (30BT)	71	ATC-0017	92	HDW-0451
12	HDW-0454	32	BRG-0012	47	ATC-0031	72	BRG-0013	93	HDW-0786
13	HDW-0640	33	HDW-0643	48	HDW-0280	73	ATC-0021	94	STM-0302
14	ATC-0013	34	HDW-0443	49	HDW-0313	74	ATC-0020	95	ATC-0059
15	ELE-1202	35	STM-0119	50	ATC-0023	75	HDW-0280	96	HDW-0357 .062
16	MTR-0133	36	HDW-0443	51	ELE-0786	76	HDW-0333		HDW-0358 .005
17	HDW-0310	37	HDW-0336	52	HDW-0583	77	ELE-0147		HDW-0359 .010
18	HDW-0451	38	HDW-0318	53	HDW-0279	78	ATC-0006	97	ATC-0033
19	STM-0061	39	STM-0033 (30)	54	STM-0292	79	HDW-0575	98	WIR-0724
20	ATC-0030		STM-0031 (21)	55	HDW-0347	80	HDW-0387	99	WIR-0723
		40	STM-0032 (30)	56	*	81	STM-0063	100	WIR-0648 ⁽¹⁾
			STM-0030 (21)	57	ELE-0145			101	WIR-0647 ⁽¹⁾
				58	ATC-0074			102	ATC-0169
								103	ATC-0093
				59	HDW-0279			*	Sold as Assembly
				60	HDW-0319 (3)				ATC-0004 (21)

ATC SERVO DRIVE ASSEMBLY

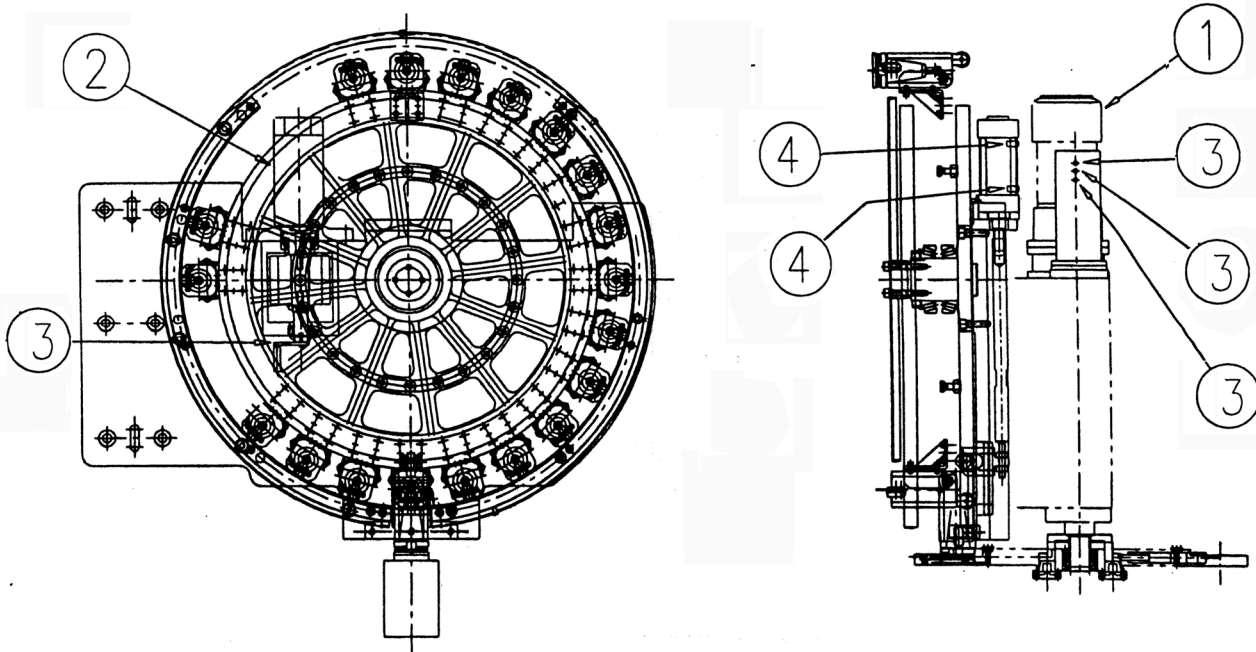


ATC SERVO DRIVE ASSEMBLY

ATC SERVO DRIVE ASSEMBLY

	PART #		PART #		PART #		PART #		PART #
1	HDW-0458	21	HDW-0279	41	ATC-0029 (BT)	61	HDW-0317	86	PUL-0029
2	HDW-0304	22	HDW-0322		ATC-0028 (CAT)	62	HDW-0281	87	PUL-0031
3	HDW-0582	23	BRG-0034	42	ATC-0032	63	*	88	PUL-0002
4	HDW-0279	24	BRG-0033	43	ATC-0009 (21)	64	BRG-0011	89	PUL-0003
5	HDW-0259	25	HDW-0051		ATC-0010 (21BT)	65	BRG-0010	90	HDW-0400
6	STM-0291	26	HDW-0634		ATC-0011 (30)	66	HDW-0193	91	BEL-0001
7	HDW-0443	27	*		ATC-0012 (30)	67	HDW-0637	92	HDW-0451
8	ATC-0077	28	BEL-0018	44	ATC-0031	68	STM-0062	93	HDW-0789
9	BRG-0013	29	*	45	HDW-0280	69	HDW-0047	94	STM-0302
10	ATC-0078	30	BRG-0012	46	HDW-0313	70	ATC-0017	95	PCB-0108
11	STM-0290	31	ATC-0016	47	STM-0144 (21)	71	BRG-0013	96	PCB-0173
12	HDW-0454	32	HDW-0643		ATC-0091 (30)	72	ATC-0021	97	ATC-0033
13	HDW-0640	33	HDW-0443	48	ATC-0027	73	ATC-0020	98	WIR-0724
14	ATC-0013	34	STM-0019	49	ATC-0036 (21)	74	HDW-0280	99	WIR-0723
15	ELE-1202	35	HDW-0443		ATC-0037 (30)	75	HDW-0333	100	HDW-0357 .062
16	MTR-0133	36	HDW-0336	50	HDW-0347	76	ELE-0147	101	HDW-0358 .005
17	HDW-0310	37	HDW-0318	51	STM-0292	77	ATC-0006	102	HDW-0359 .010
18	HDW-0451	38	STM-0033 (30)	52	STM-0615	78	HDW-0575	103	WIR-0647
19	STM-0061		STM-0031 (21)	53	ELE-0385	79	HDW-0387	104	WIR-0649
20	ATC-0030	39	STM-0032 (30)	54	STM-0147	80	STM-0063	105	ATC-0169
			STM-0030 (21)	55	ELE-0145	81	ATC-0035	106	ATC-0093
		40	HDW-0328	56	PUL-0008	82	BLS-0040		
				57	ATC-0088	83	BRG-0006		
				58	MTR-0144	84	ATC-0058 (21)	*	Sold as Assembly
				59	OBSOLETE		ATC-0059 (30)		ATC-0056 (21)
				60	BRG-0009	85	ATC-0076		ATC-0055 (30)

DUAL ARM TOOL CHANGER



DUAL ARM TOOL CHANGER

	PART #
1	MTR-0181
2	MTR-0180
3	ELE-1185
4	ELE-1186
5	ATC-0155
6	ATC-0164
7	(BT) ATC-0163
7	(BT) ATC-0165

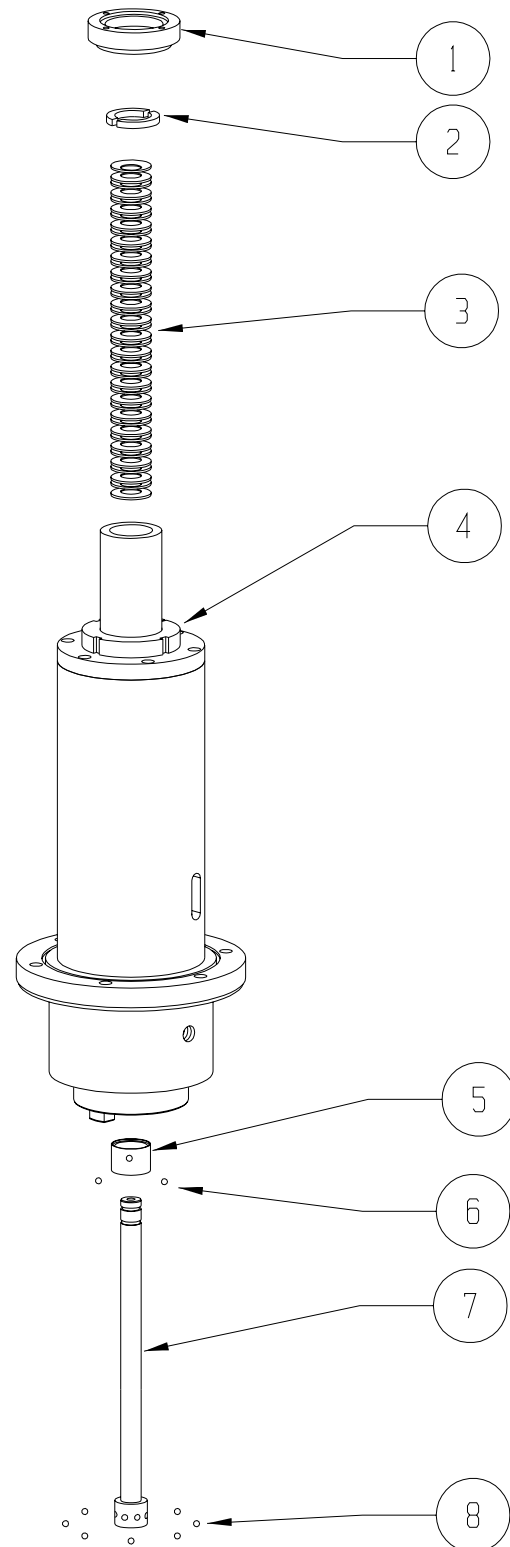
7500 RPM SPINDLE ASSEMBLY

7500 RPM SPINDLE ASSEMBLY

	PART #
1	SPN-0079
2	DRB-0019
3	HDW-0195
4	SPN-0084
5	DRB-0004
6	BRG-0005
7	DRB-0028 ⁽¹⁾
8	BRG-0005
ASSY SPN-0037 ⁽²⁾	

¹Not sold individually. Sold as assembly DRB-0030 (includes DRB-0028 and SPN-0079)

²Assembly includes all parts listed on this page plus PUL-0025



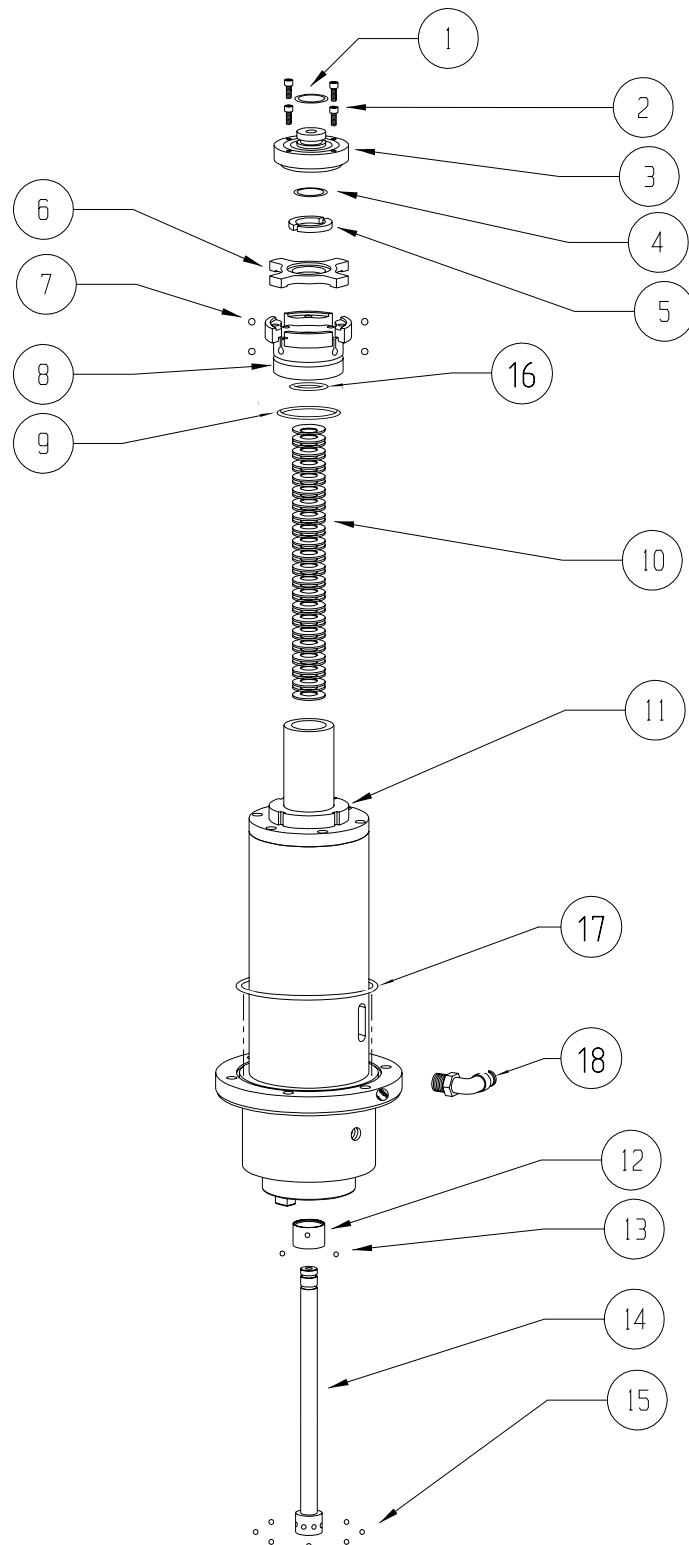
10K RPM SPINDLE ASSEMBLY

10,000 RPM SPINDLE ASSEMBLY

	PART #
1	HDW-0177
2	HDW-0307
3	DRB-0015
4	HDW-0180
5	DRB-0019
6	DRB-0014
7	BRG-0004
8	DRB-0016
9	HDW-0158
10	HDW-0195
11	SPN-0084
12	DRB-0004
13	BRG-0005
14	DRB-0026 ⁽¹⁾
15	BRG-0005
16	HDW-0155
17	HDW-0181
18	PLM-0034
ASSY SPN-0007 ⁽²⁾	

¹Not sold separately. Sold with assembly DRB-0003 (includes pieces 1-9, 14 & 15).

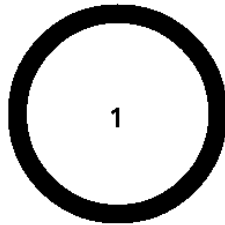
²Assembly includes all parts listed on this page plus PUL-0020.



COOLANT THROUGH SPINDLE

CNT-0015, Coolant-thru Seal Conversion Kit

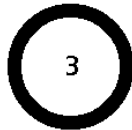
CNT-0150, Seal Repair Kit



1
HDW-0158



2
HDW-0177



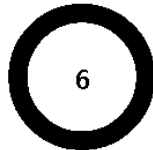
3
HDW-0150



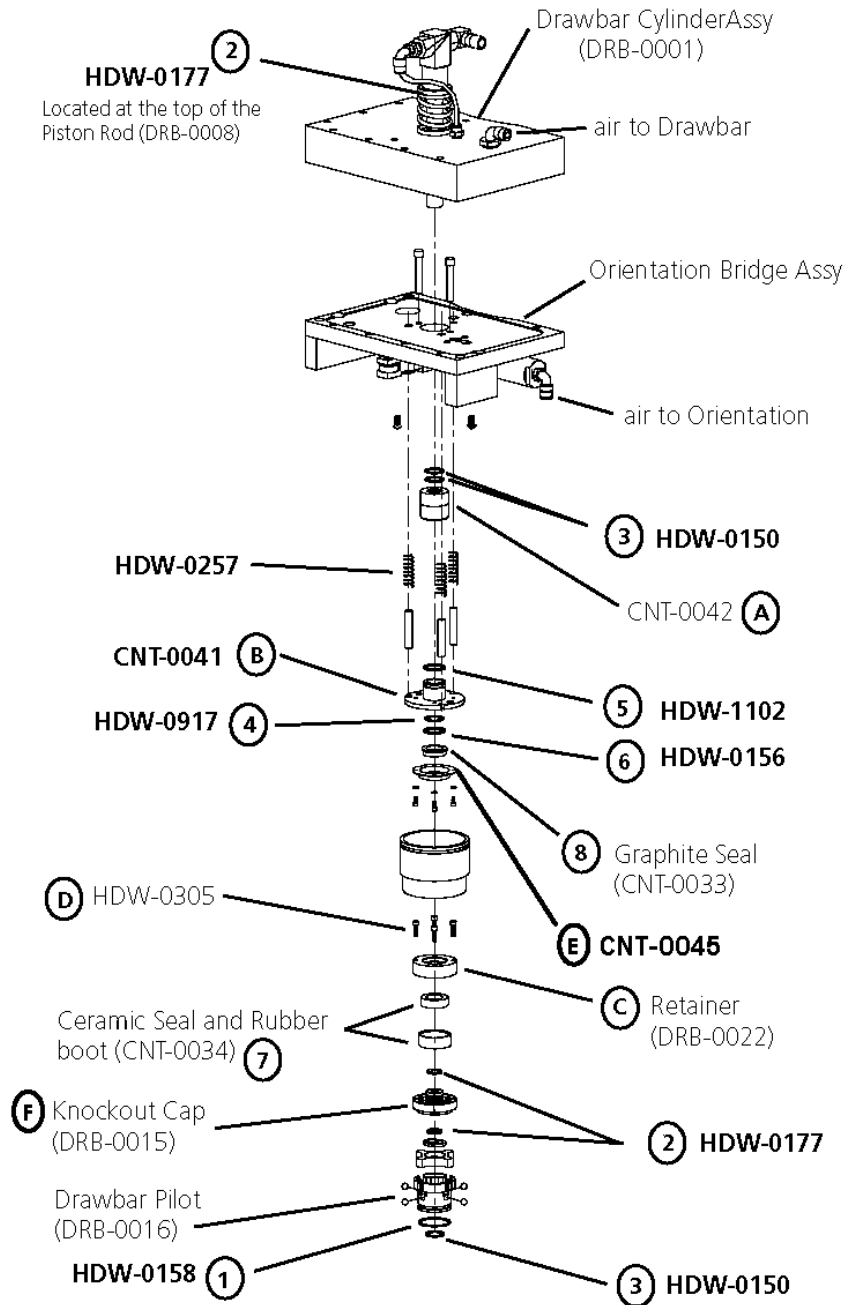
4
HDW-0917



5
HDW-1102

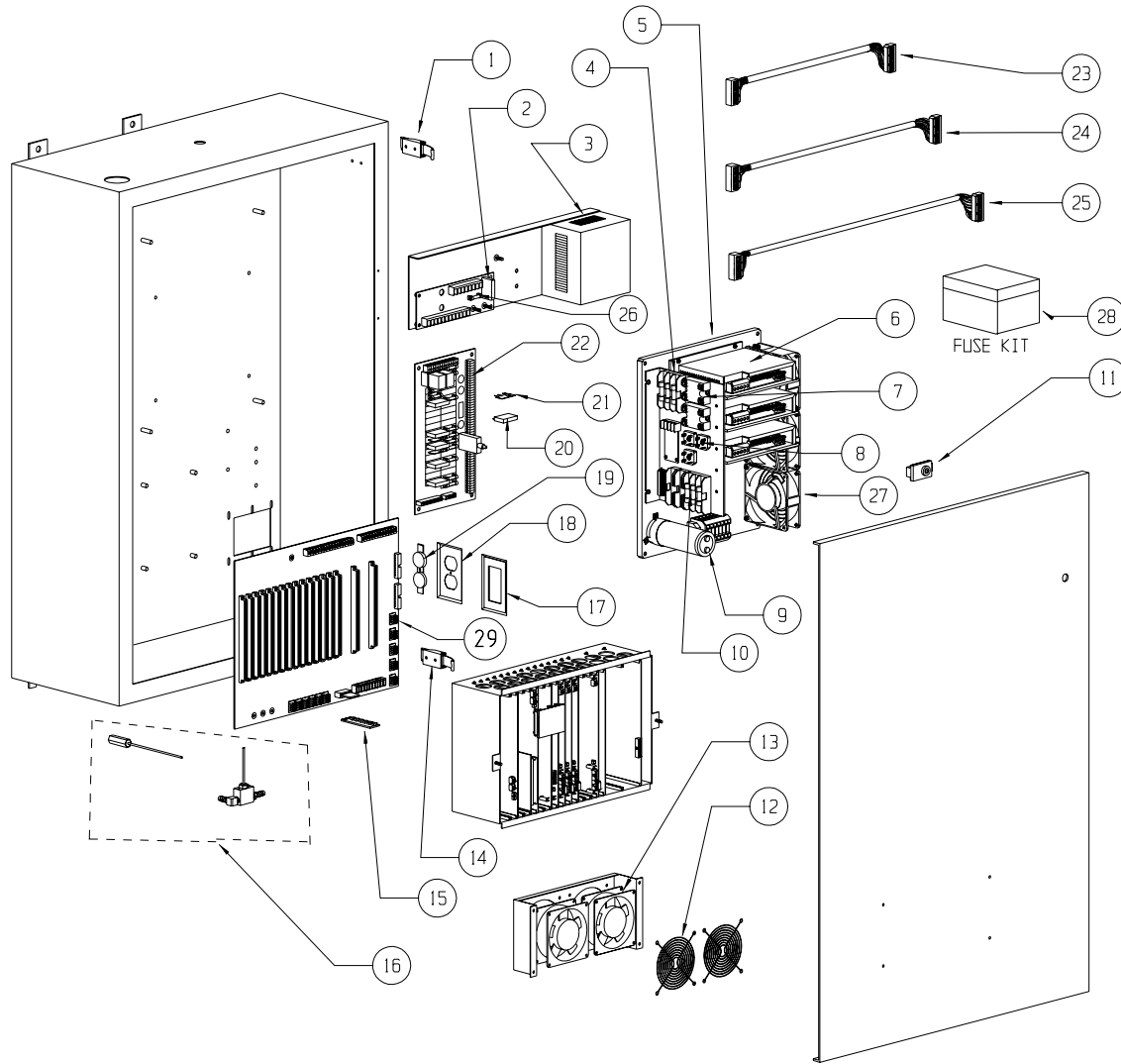


6
HDW-0156



CNT-0150 O-RINGS AND SEALS ONLY (1-8)
 CNT-0015 FOR CONVERTING OLDER MODELS (1-8
 AND A-F)

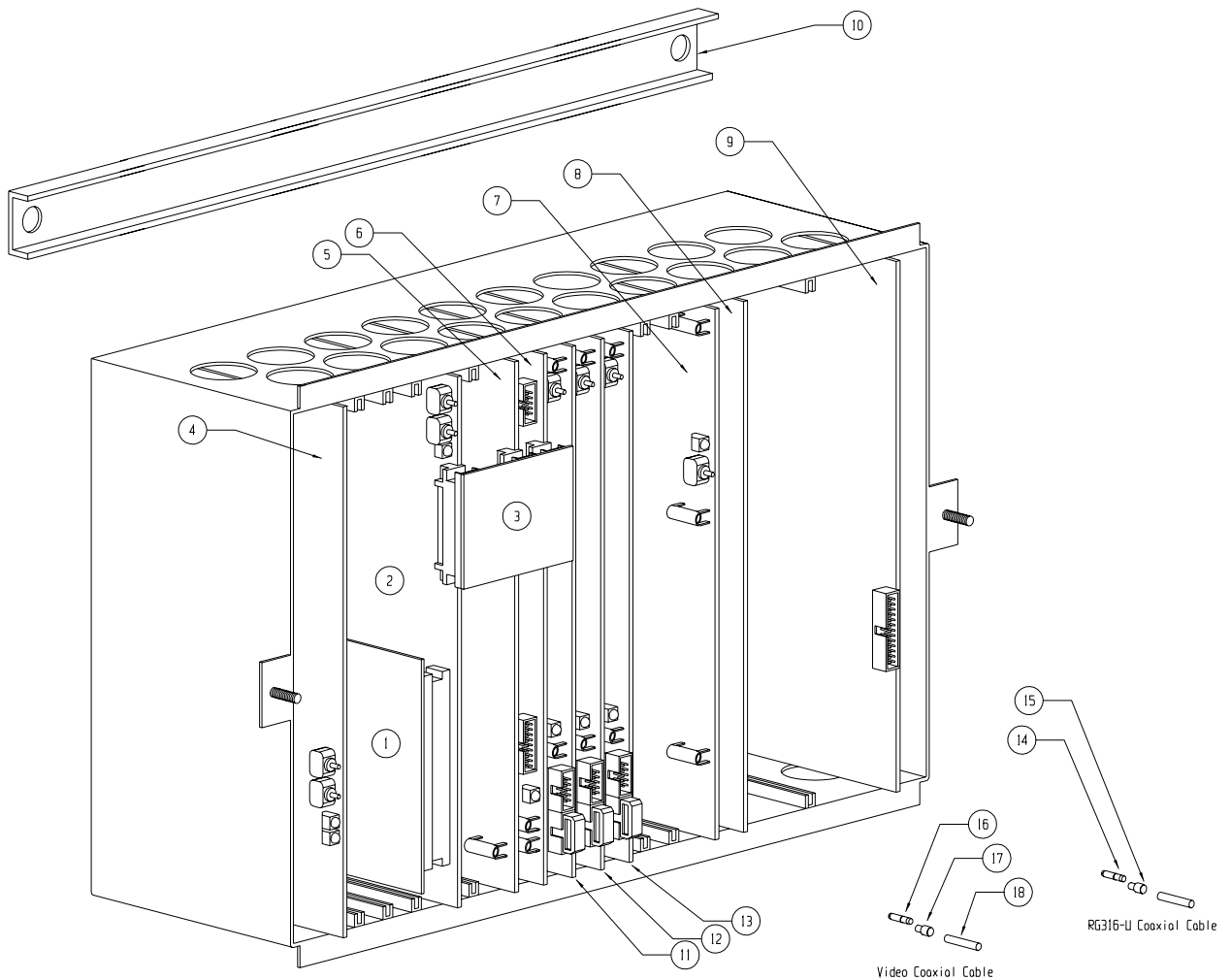
CNC CABINET ASSEMBLY



CNC CABINET ASSEMBLY

	PART #		PART #		PART #		PART #
1	HDW-0220	8	ELE-0034	15	PCB-0010	22	PCB-0014
2	ELE-0071	9	AMP-0036	16	CNT-0022	23	WIR-0161
3	ELE-0172	10	ELE-0840	17	WIR-0120	24	WIR-0163
4	ELE-0837	11	HDW-0221	18	WIR-0117	25	WIR-0174
5	AMP-0028	12	HDW-0850	19	WIR-0121	26	ELE-0046
6	AMP-0029 (GTK)	13	ELE-0123	20	ELE-0070	27	ELE-0123
	AMP-0034 (AMC)						
7	ELE-0074	14	HDW-0217	21	ELE-0101	28	ELE-0106

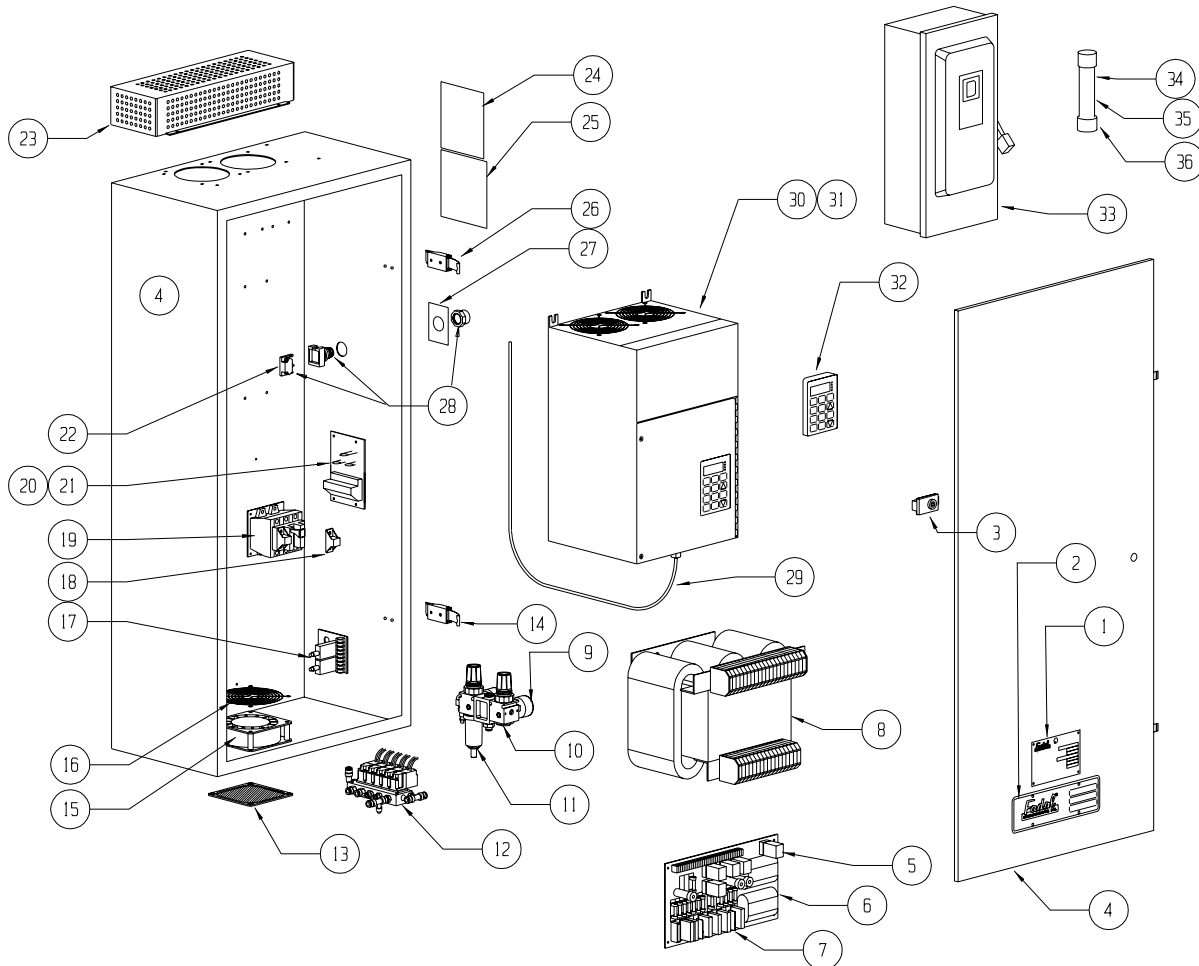
CARD CAGE ASSEMBLY



	PART #		PART #
1	PCB-0094	8	PCB-0000
2	PCB-0030	9	PCB-0009
3	PCB-0053	10	STM-0029
4	PCB-0045	11	WIR-0040
5	PCB-0032 (88HS)	12	WIR-0041
	PCB-0033 (32HS)	13	WIR-0038
6	PCB-0003	14	WIR-0039
7	PCB-0141	15	WIR-0086

SLOT	BOARD #	SLOT	BOARD #
1	PCB-0045	10	PCB-0037
2		11	PCB-
3		12	
4		13	
5	PCB-0030	14	PCB-0141
6		15	PCB-0000
7		16	PCB-0008
8	PCB-0003	17	PCB-0005
9	PCB-0037		

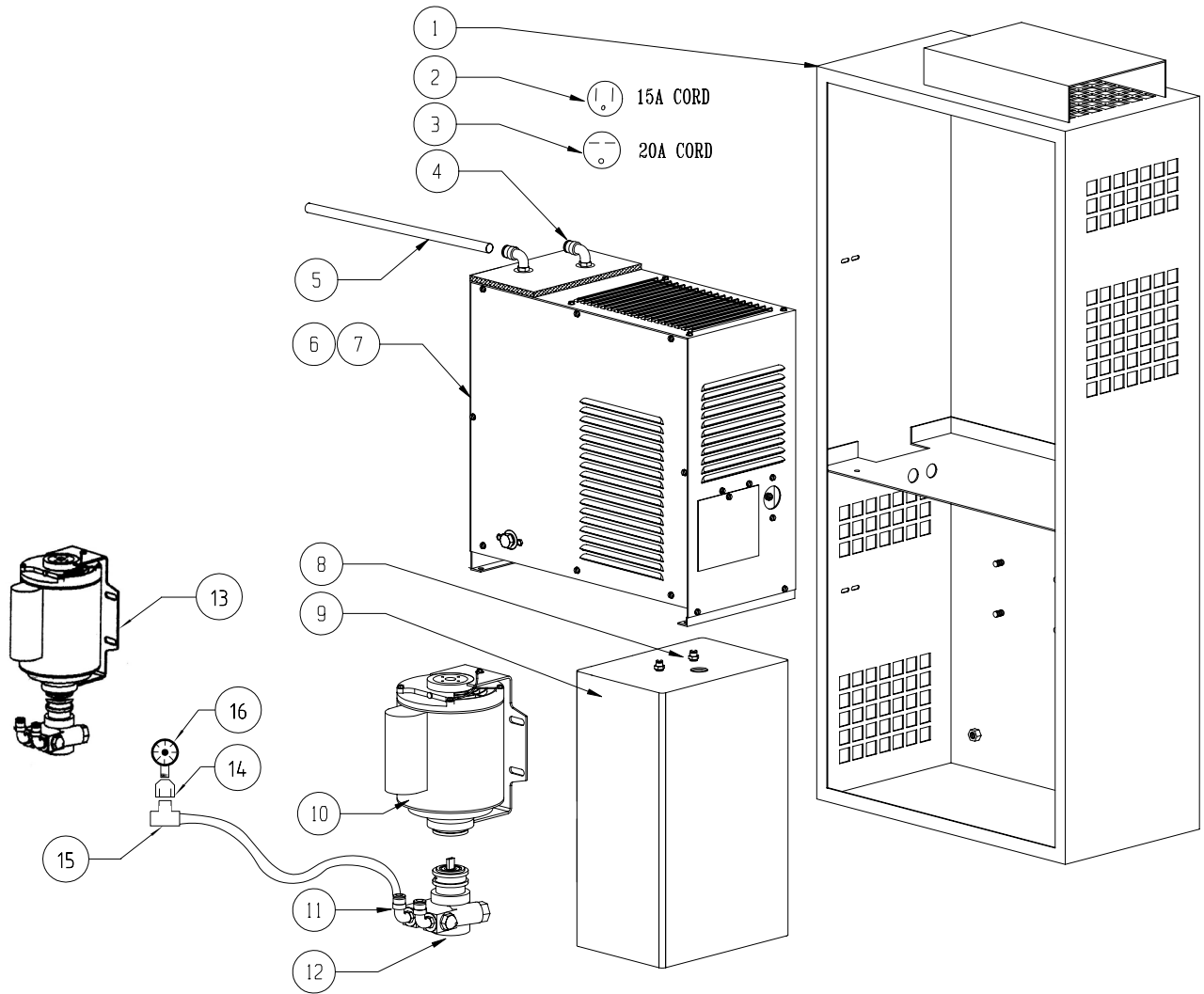
POWER JUNCTION CABINET ASSEMBLY



POWER JUNCTION CABINET ASSEMBLY

	PART #		PART #		PART #		PART #		PART #
1	LBL-0030	12	VLV-0054	22	ELE-0093	31	INV-0056	36	ELE-0060
	LBL-0031 (HT)	13	HDW-0	23	INV-0004		(AMC)		20A 480V
2	LBL-0106	14	HDW-			32	INV-0017		
3	HDW-221	15	ELE-0123	24	LBL-0037	33	ELE-0139		
4	STM-0450	16	HDW-	25	LBL-0040		(60 AMP)		
5	ELE-0072	17	PCB-0046	26	HDW-0219		ELE-0140		
6	PCB-0015	18	ELE-0138	27	LBL-0038		(30 AMP)		
7	ELE-0070	19	ELE-0132	28	ELE-0110	34	ELE-0063		
8	ELE-0200	20	PCB-0145	29	WIR-0166		45A 240V		
9	REG-0005		(240 VAC)	30	INV-0020 (HT)	35	ELE-0062		
10	REG-0009	21	PCB-0146		INV-0041		30A 380V		
11	REG-0008		(500 VAC)		(BALDOR)				

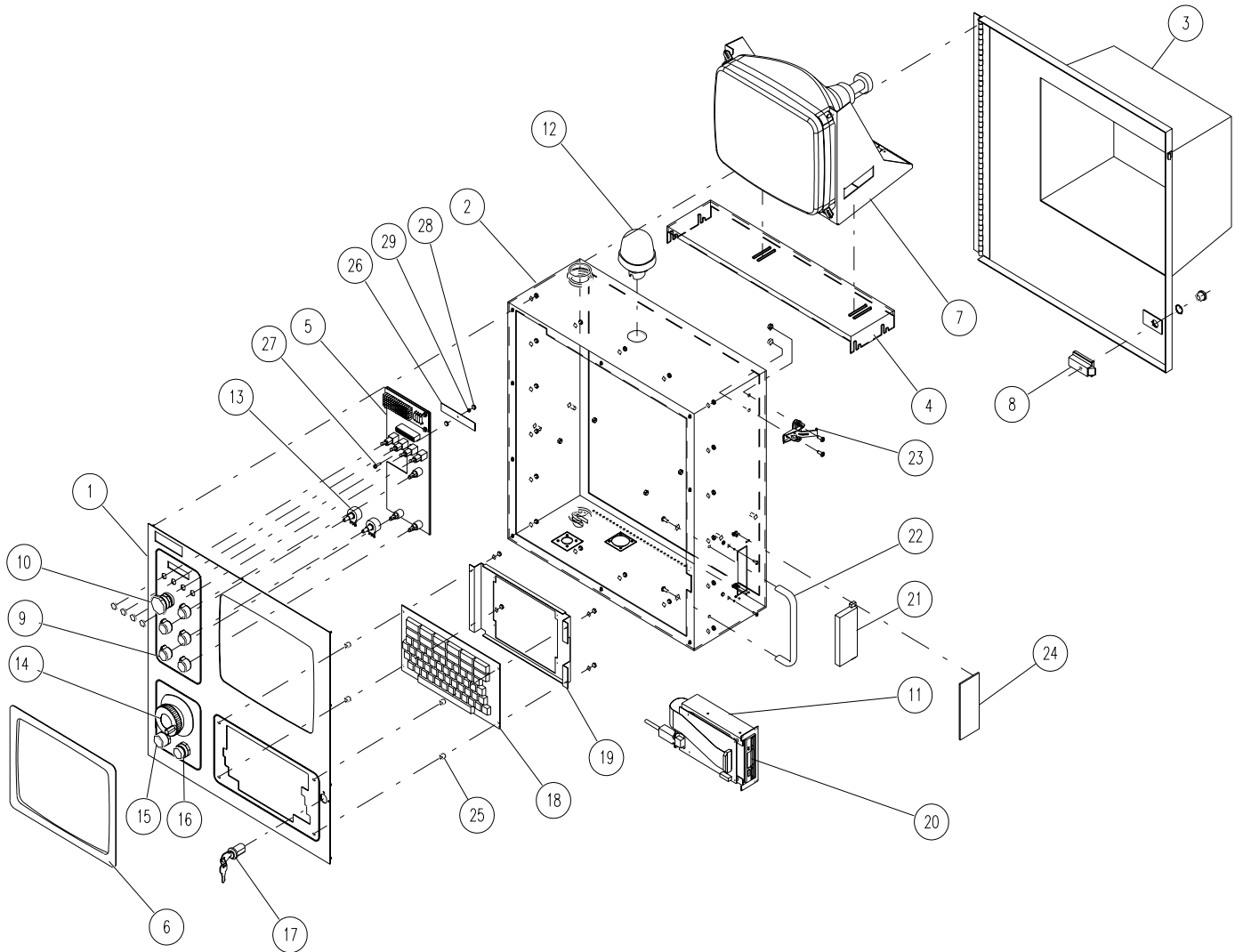
CHILLER CABINET ASSEMBLY



CHILLER CABINET ASSEMBLY

	PART #		PART #
1	STM-0125	9	CNT-0047
2	WIR-0433	10	PMP-0029
3	WIR-0434	11	PLM-0042
4	PLM-0042	12	PMP-0000
5	PLM-0024	13	PMP-0032
6	CNT-0035 (15A)	14	PMP-0199
7	CNT-0144 (20A)	15	PLM-0166
8	PLM-0210		

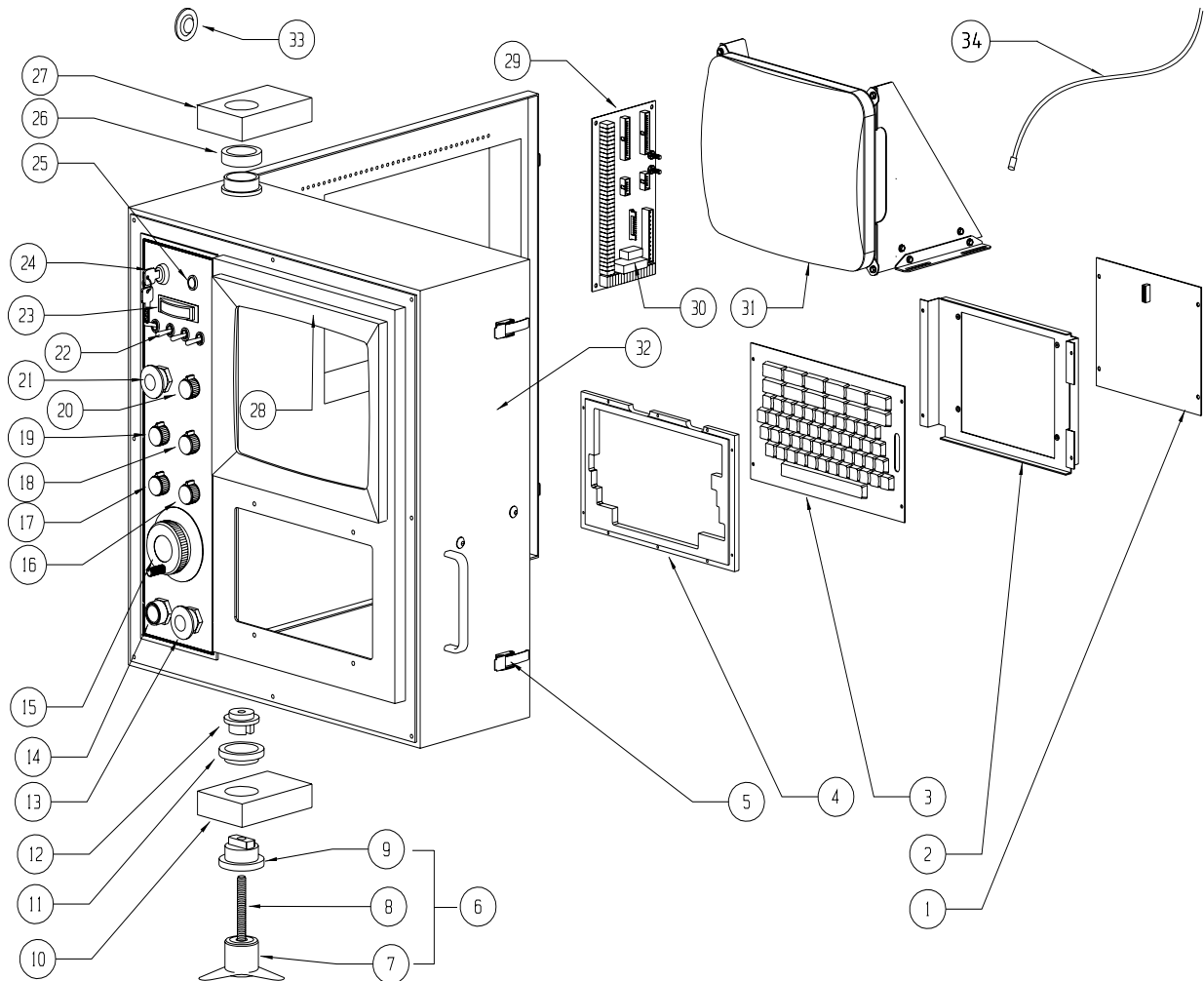
MP PENDANT ASSEMBLY



MP PENDANT ASSEMBLY

	PART #		PART #		PART #		PART #
1	CTR-0134		ELE-0888	15	ELE-0093	24	STM-0547
2	STM-0945 2 OF 4		ELE-0889	16	ELE-0091	25	HDW-1083
3	STM-0945 3 OF 4	8	HDW-0221	17	ELE-0096	26	ELE-1184
4	STM-0951	9	HDW-0671	18	ELE-0083	27	HDW-1082
5	PCB-0200	10	ELE-0673	19	STM-0128	28	HDW-1081
6	CTR-0118	11	STM-0470	20	ELE-0913	29	HDW-0456
	CTR-0136	12	ELE-0969	21	CTR-0014		
	CTR-0135	13	ELE-0380	22	HDW-0182		
7	ELE-1072 1 OF 3	14	MPG-0020	23	HDW-0925		

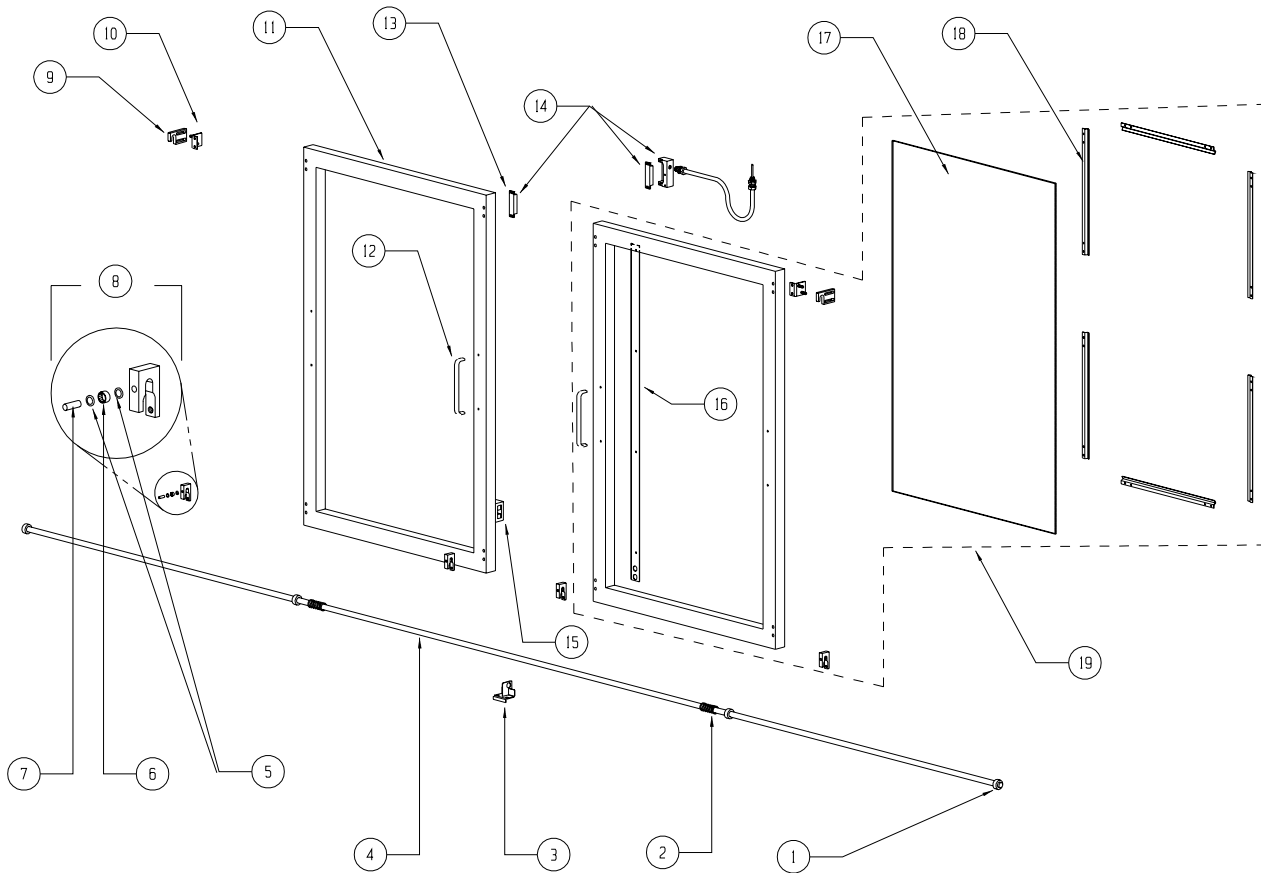
88HS PENDANT ASSEMBLY



88 HS PENDANT ASSEMBLY

	PART #		PART #		PART #		PART #
1	PCB-0012	10	CTR-0009	19	ELE-0067	28	HDW-0847
2	STM-0128	11	BRG-0077	20	ELE-0078	29	PCB-0019
3	ELE-0083	12	CTR-0077	21	ELE-0112	30	ELE-0070
4	CTR-0009	13	ELE-0111	22	ELE-0095	31	ELE-0189
5	HDW--0216	14	ELE-0110	23	ELE-0108	32	CTR-0021
6	CTR-0022	15	MPG-0009	24	ELE-0096	33	HDW-0185
7	HDW-0675		MPG-0012	25	ELE-0090	34	WIR-0086
8	CTR-0018	16	ELE-0078	26	HDW-0724		
9	CTR-0008	17	ELE-0081	27	CTR-0006		
		18	ELE-0068				

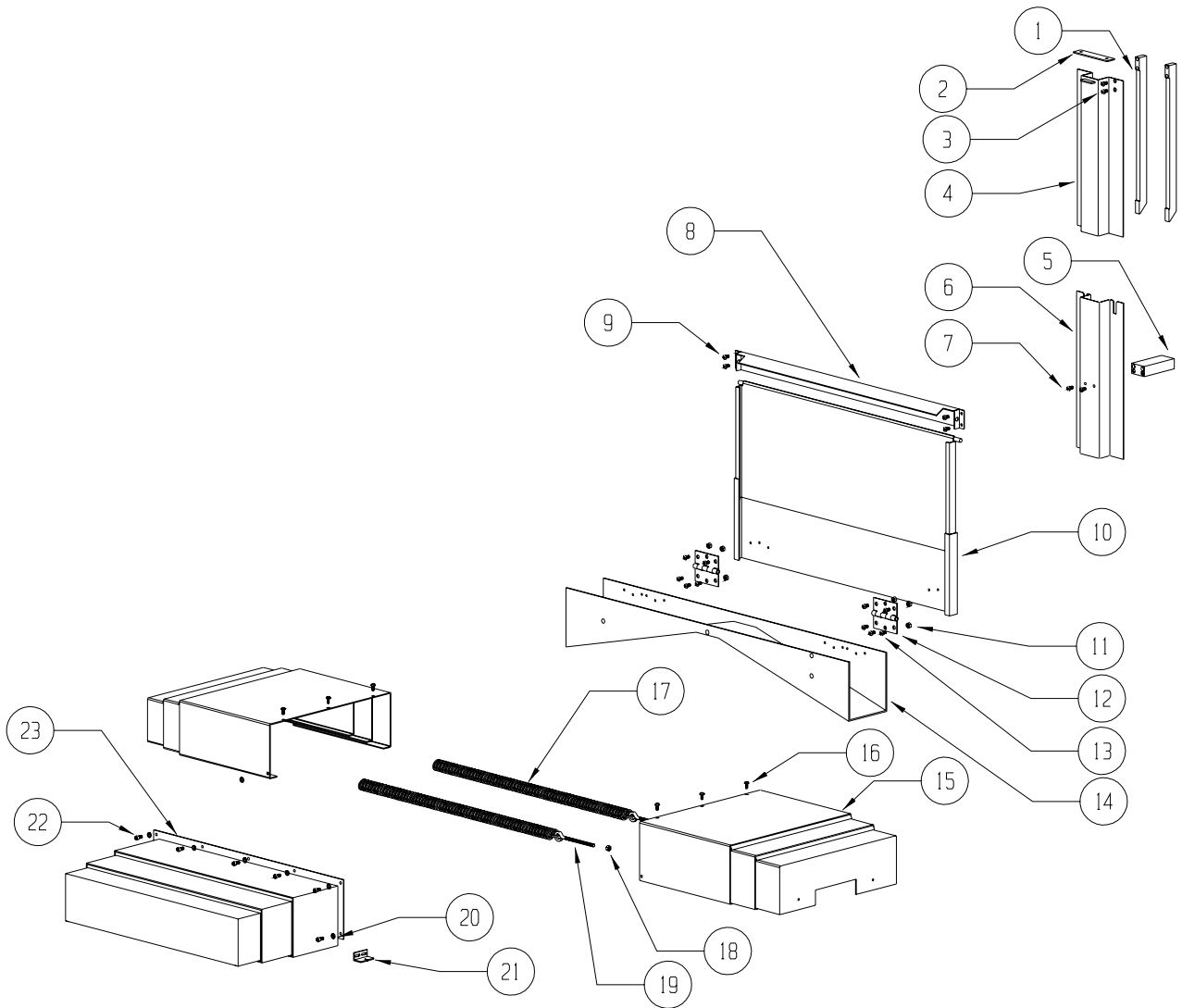
FRONT DOOR ASSEMBLY



FRONT DOOR ASSEMBLY

	PART #		PART #		PART #		PART #
1	HDW-0215	6	BRG-0014	11	DOR-0002	16	STM-0083
2	HDW-0264	7	HDW-0327	12	HDW-0182	17	DOR-0007
3	DOR-0019	8	DOR-0015	13	ELE-0810	18	STM-0084
4	DOR-0023	9	DOR-0001	14	WIR-0069	19	DOR-0076
5	HDW-0149	10	DOR-0000	15	DOR-0035		
					(COMPLETE)		
					HDW-0863		
					(LATCH ONLY)		

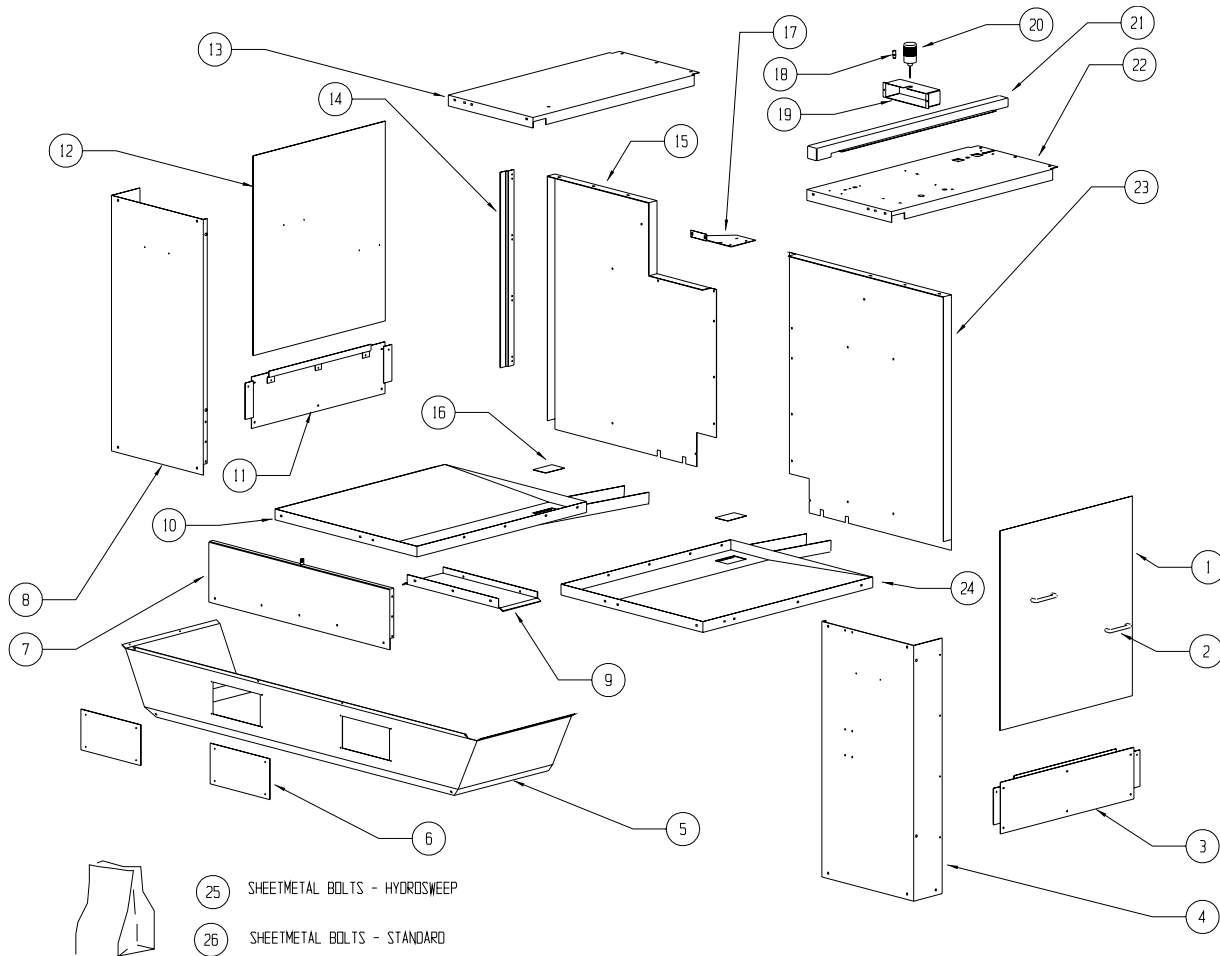
WAY COVER ASSEMBLY



WAY COVER ASSEMBLY

	PART #		PART #		PART #
1	CVR-0031	9	HDW-0346	17	HDW-0261
2	CVR-0030	10	CVR-0042	18	HDW-0336
3	HDW-0319	11	HDW-0339	19	HDW-0251
4	CVR-0090	12	HDW-0192	20	HDW-0279
5	CVR-0036	13	HDW-0324	21	STM-0047
6	CVR-0035	14	STM-0053	22	HDW-0482
7	HDW-0603	15	CVR-0043	23	CVR-0023
8	STM-0164	16	HDW-0347		

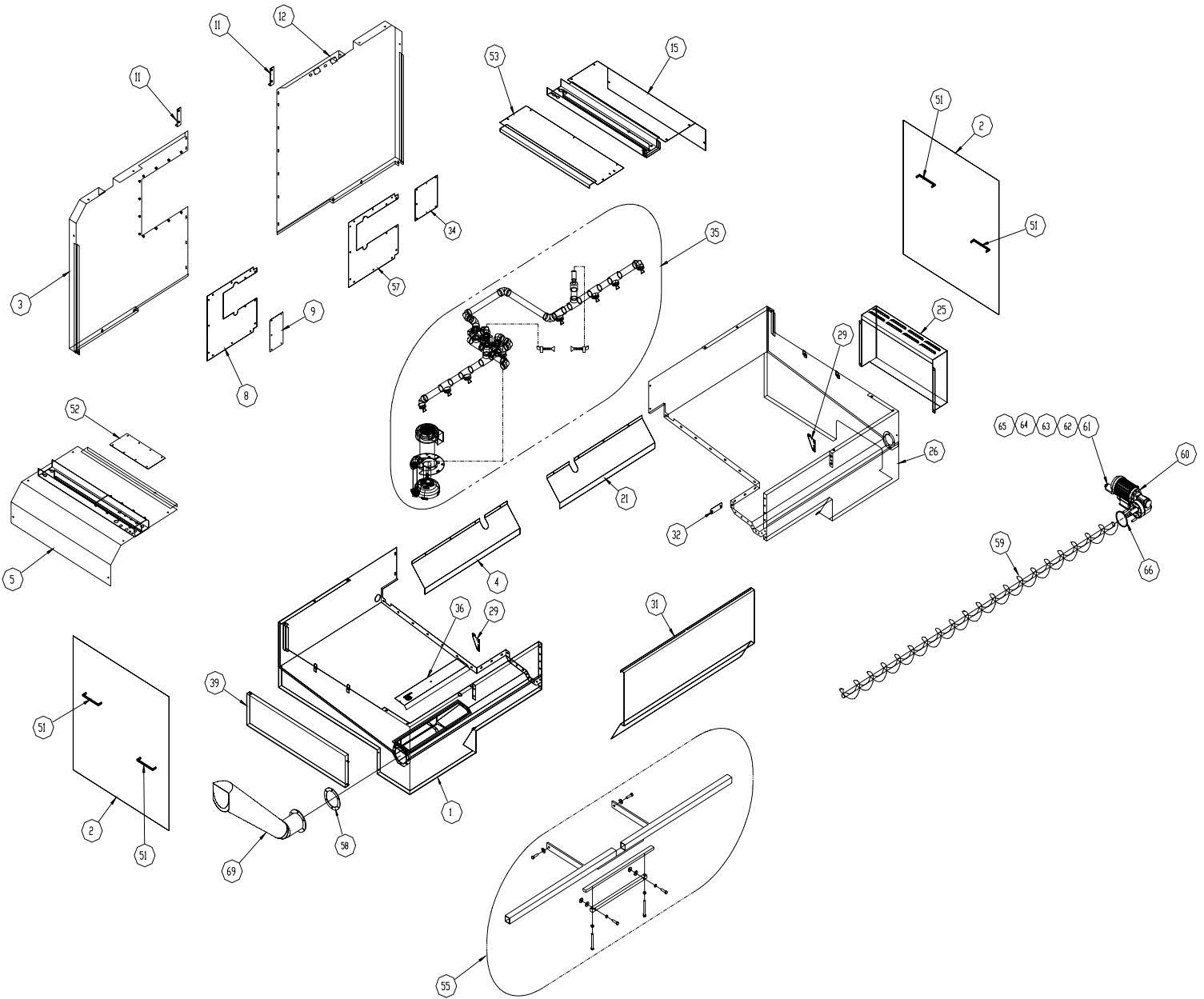
SHEETMETAL HOUSING



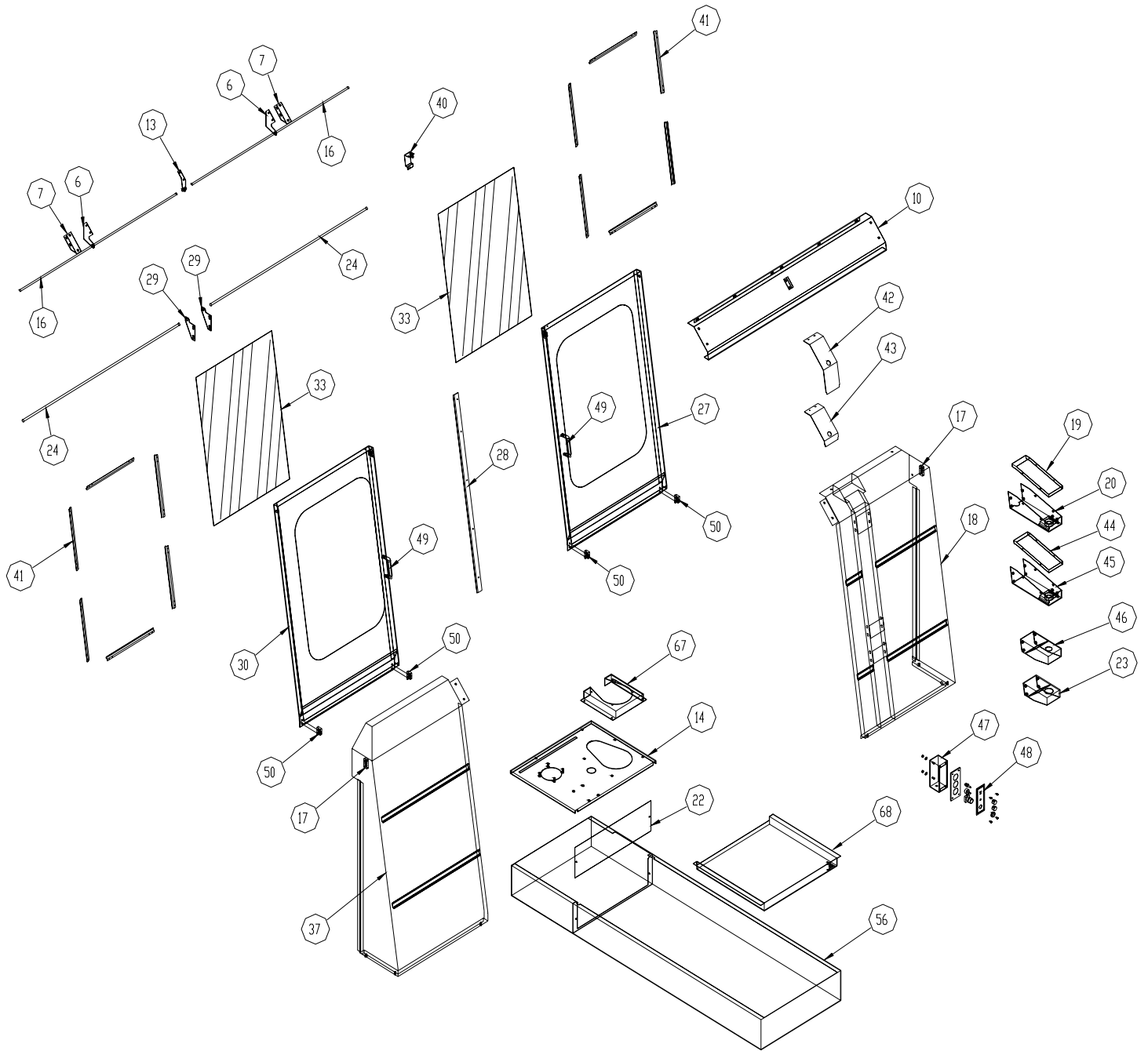
SHEETMETAL HOUSING

	PART #		PART #		PART #		PART #
1	STM-0243	9	STM-0108	17	STM-0540	25	HDW-0853
2	HDW-0182	10	STM-0076	18	ELE-0122	26	HDW-0907
3	STM-0242	11	STM-0242	19	STM-0089		
4	STM-0247	12	STM-0243	20	ELE-0121		
5	STM-0239	13	STM-0263	21	STM-0086		
6	STM-0299	14	STM-0244	22	STM-0262		
7	STM-0079	15	STM-0306	23	STM-0308		
8	STM-0344	16	STM-0110	24	STM-0307		

SHEETMETAL HOUSING SLANT 98



SHEETMETAL HOUSING SLANT 98

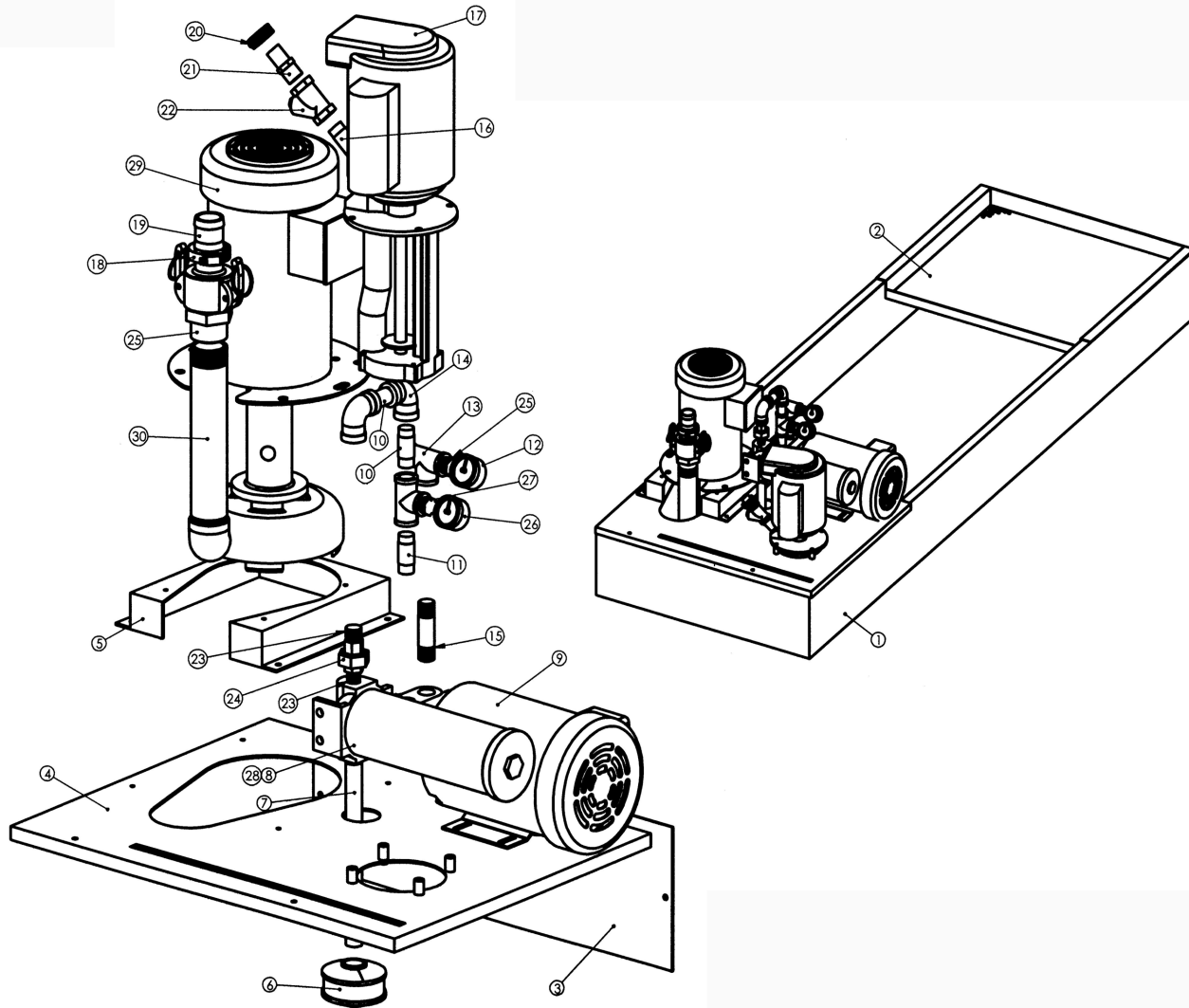


SHEETMETAL HOUSING SLANT 98

SHEETMETAL HOUSING SLANT 98 OPTION

	PART NO.		PART NO.		PART NO.		PART NO.
1	STM-0802	18	STM-0726	35	ASY-0020	53	STM-0751
2	STM-0243	19	STM-0749	36	STM-0804	55	ASY-0025
3	STM-0729	20	STM-0750	37	STM-0725	56	STM-0815
4	STM-0812	21	STM-0813	39	STM-0892	57	PA-6617
5	STM-0731	22	PA-9089	40	STM-0738	58	HDW-1018
6	STM-0741	23	STM-0748	41	STM-0084	59	AUG-0007
7	STM-0742	24	DOR-0040	42	DOR-0916	60	MTR-0187
8	STM-0734	25	STM-0805	43	STM-0915	61	WIR-0517
9	STM-0735	26	STM-0803	44	STM-0914	62	WIR-0536
10	STM-0847	27	STM-0737	45	STM-0913	63	WIR-0109
11	STM-0744	28	STM-0893	46	STM-0885	64	HDW-0713
12	STM-0730	29	STM-0740	47	STM-0405	65	WIR-0192
13	STM-0743	30	STM-0736	48	LBL-0264	66	HDW-0170
14	STM-0816	31	STM-0753	49	E937313	67	STM-1023
15	STM-0732	32	STM-0745	50	DOR-0016	68	STM-1024
16	DOR-0039	33	DOR-0007	51	HDW-0182	69	STM-1008
17	STM-0739	34	PA-6621	52	STM-0881		

COOLANT TANK ASSEMBLY SLANT 98



COOLANT TANK ASSEMBLY

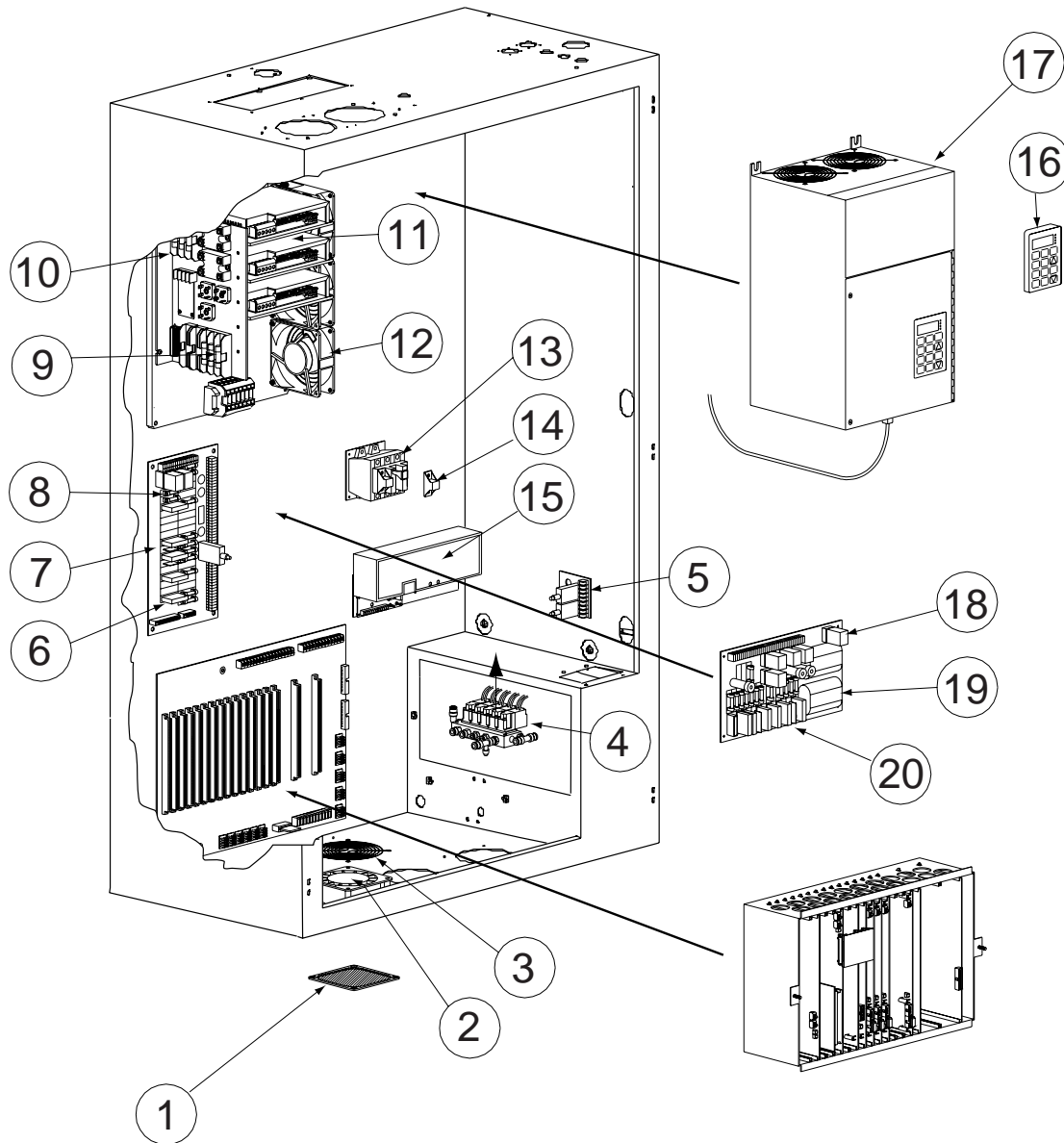
	PART #		PART #		PART #		PART #
1	STM-0815	9	PMP-0008	17	PMP-0017	25	PLM-0217
2	STM-1024	10	PLM-0060	18	HDW-0764	26	PLM-0216
3	STM-0879	11	PLM-0094	19	PLM-0021	27	REG-0034
4	STM-0816	12	REG-0018	20	HDW-0252	28	CNT-0029
5	STM-1023	13	PLM-0089	21	PLM-0076	29	PMP-0010
6	CNT-0025	14	PLM-0067	22	VLV-0018	30	PLM-0065
7	PLM-0233	15	PLM-0214	23	PLM-0091		
8	CNT-0027	16	PLM-0007	24	PLM-0212		



This page intentionally left blank.



CNC CABINET SLANT 98

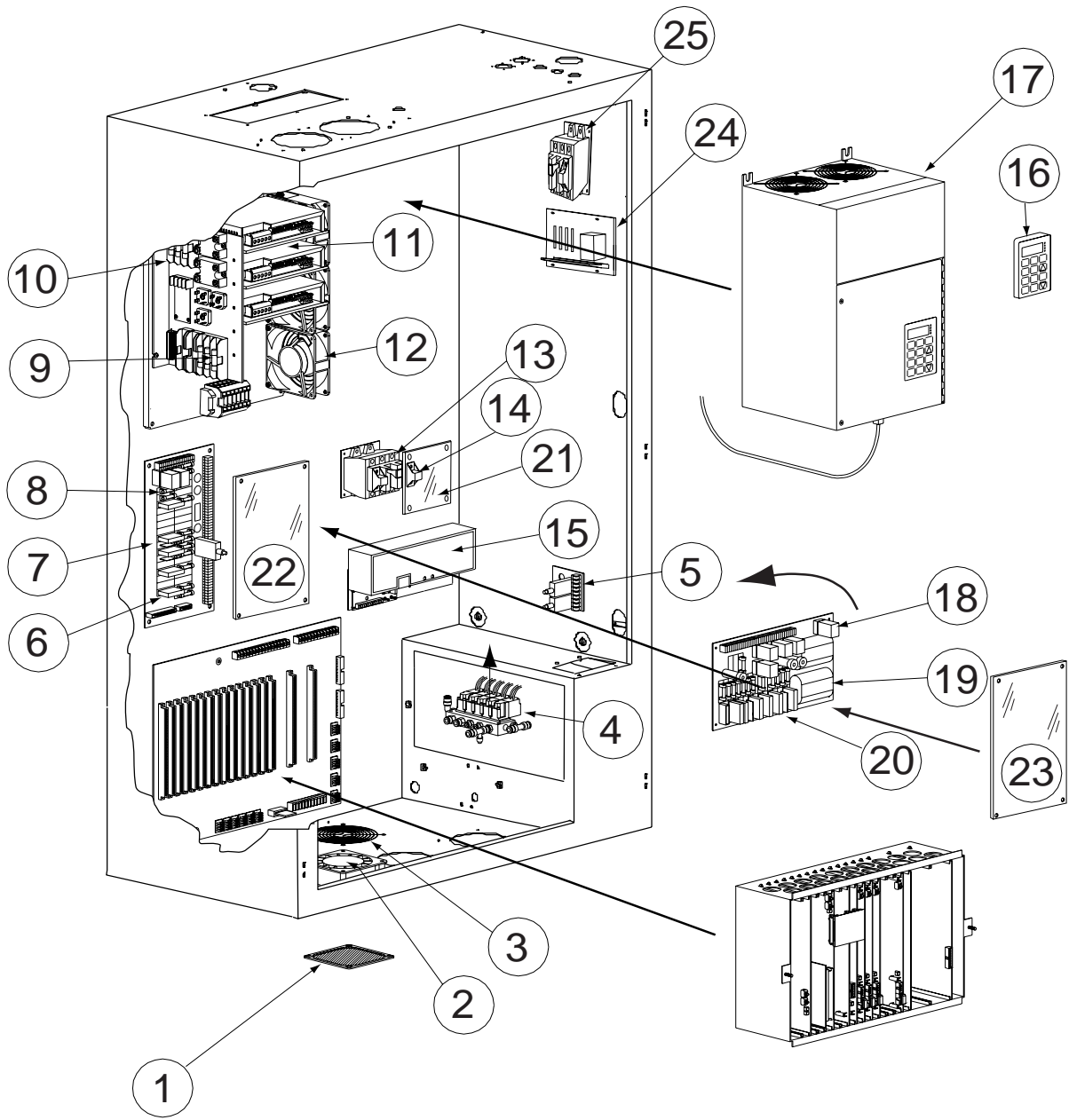


CNC CABINET SLANT 98

CNC CABINET SLANT 98

	PART #		PART #
1	HDW-0849	11	AMP-0036
2	ELE-0123	12	ELE-0123
3	HDW-0850	13	ELE-0132
4	VLV-0054	14	ELE-0138
5	PCB-0046	15	ELE-0961
6	ELE-0070	16	INV-0017 (BALDOR)
7	PCB-0194	17	INV-0056 (AMC)
8	ELE-0101		INV-0020 (HT)
9	ELE-0840		INV-0020 (HT)
10	ELE-0837	18	ELE-0072
		19	PCB-0195
		20	ELE-0070

CE CNC CABINET SLANT 98

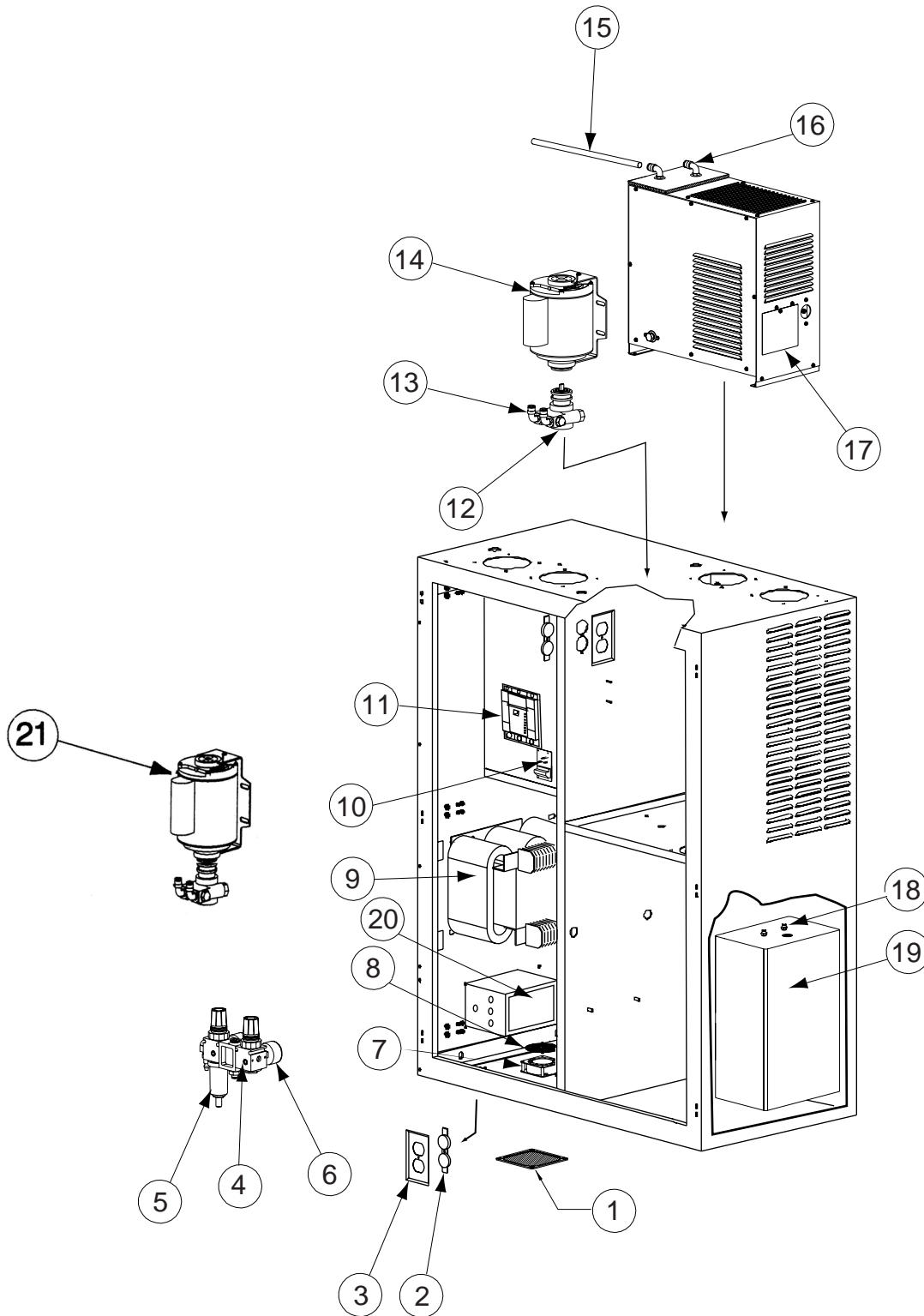


CE CNC CABINET SLANT 98

CE CNC CABINET

	PART #		PART #		PART #
1	HDW-0849	13	ELE-0132	24	PCB-0196
2	ELE-0123	14	ELE-0138	25	ELE-1025
3	HDW-0850	15	ELE-0961		
4	VLV-0054	16	INV-0017 (BALDOR)		
5	PCB-0046	17	INV-0056 (AMC)		
6	ELE-0070		INV-0041 (BALDOR)		
7	PCB-0194	18	ELE-0072		
8	ELE-0101	19	PCB-0195		
9	ELE-0840	20	ELE-0070		
10	ELE-0837	21	ELE-0349		
11	AMP-0036	22	ELE-0849		
12	ELE-0123	23	ELE-0848		

JUNCTION BOX SLANT 98

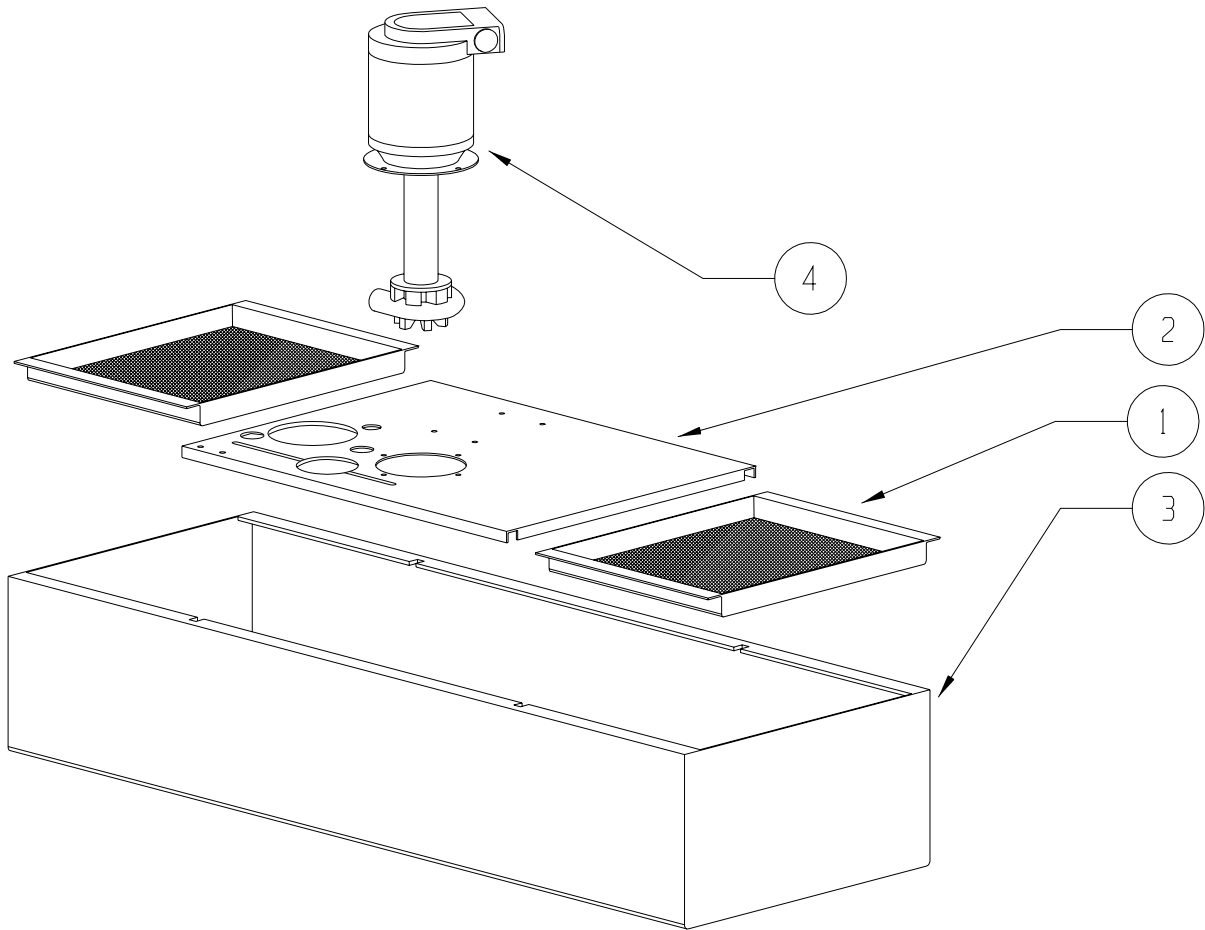


JUNCTION BOX SLANT 98

JUNCTION BOX

	PART #		PART #
1	HDW-0849	12	PMP-0000
2	WIR-0121	13	PLM-0042
3	WIR-0117	14	PMP-0029
4	REG-0009	15	PLM-0024
5	REG-0008	16	PLM-0042
6	REG-0005	17	CNT-0035
7	ELE-0123	18	PLM-0210
8	HDW-0850	19	CNT-0047
9	ELE-0200	20	ELE-0762*
10	PCB-0020	21	PMP-0034
11	ELE-0946		

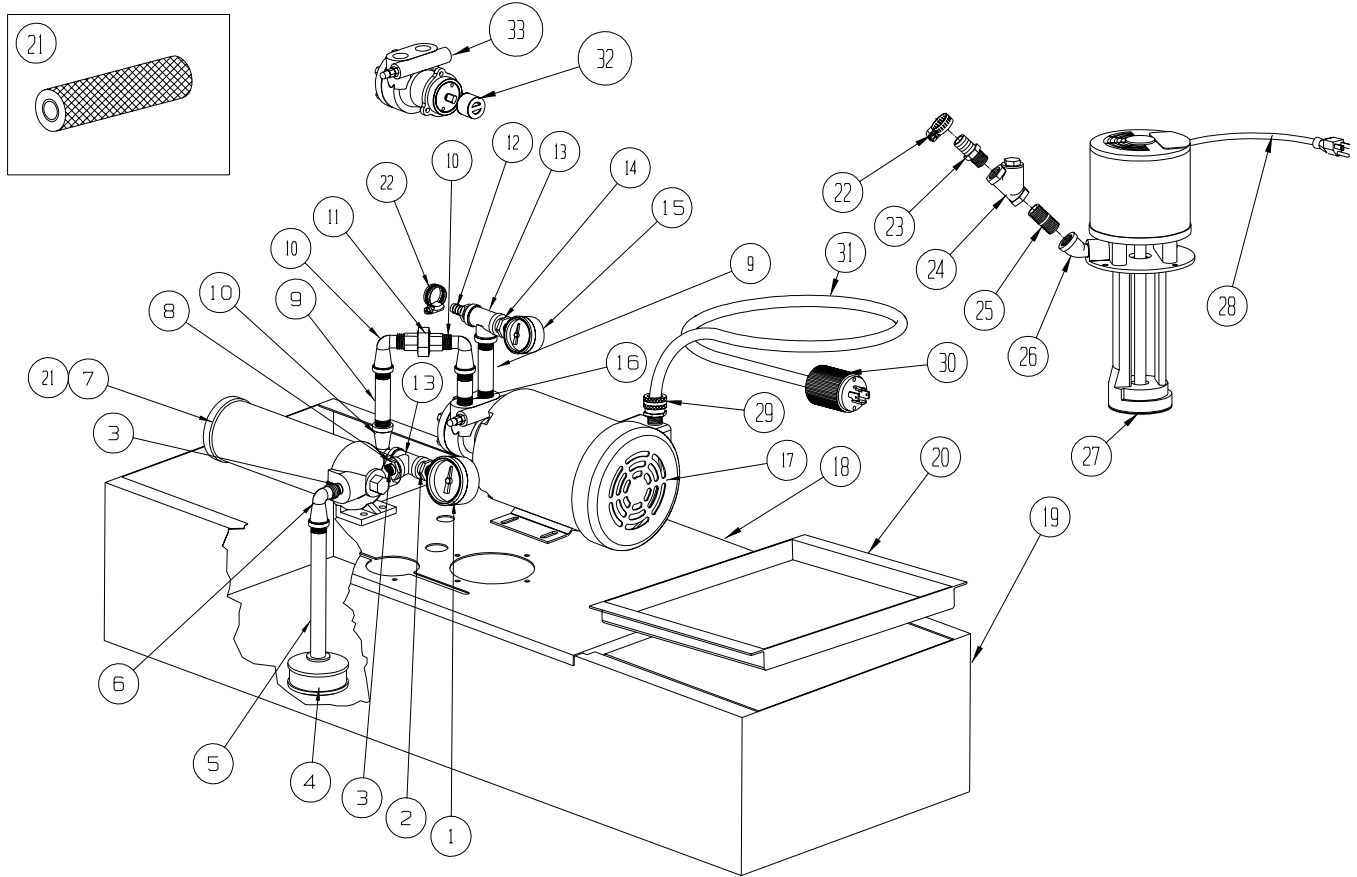
7500 RPM COOLANT TANK



7500 RPM COOLANT TANK

	PART #
1	STM-0116
2	STM-0594
3	STM-0287
4	PMP-0017

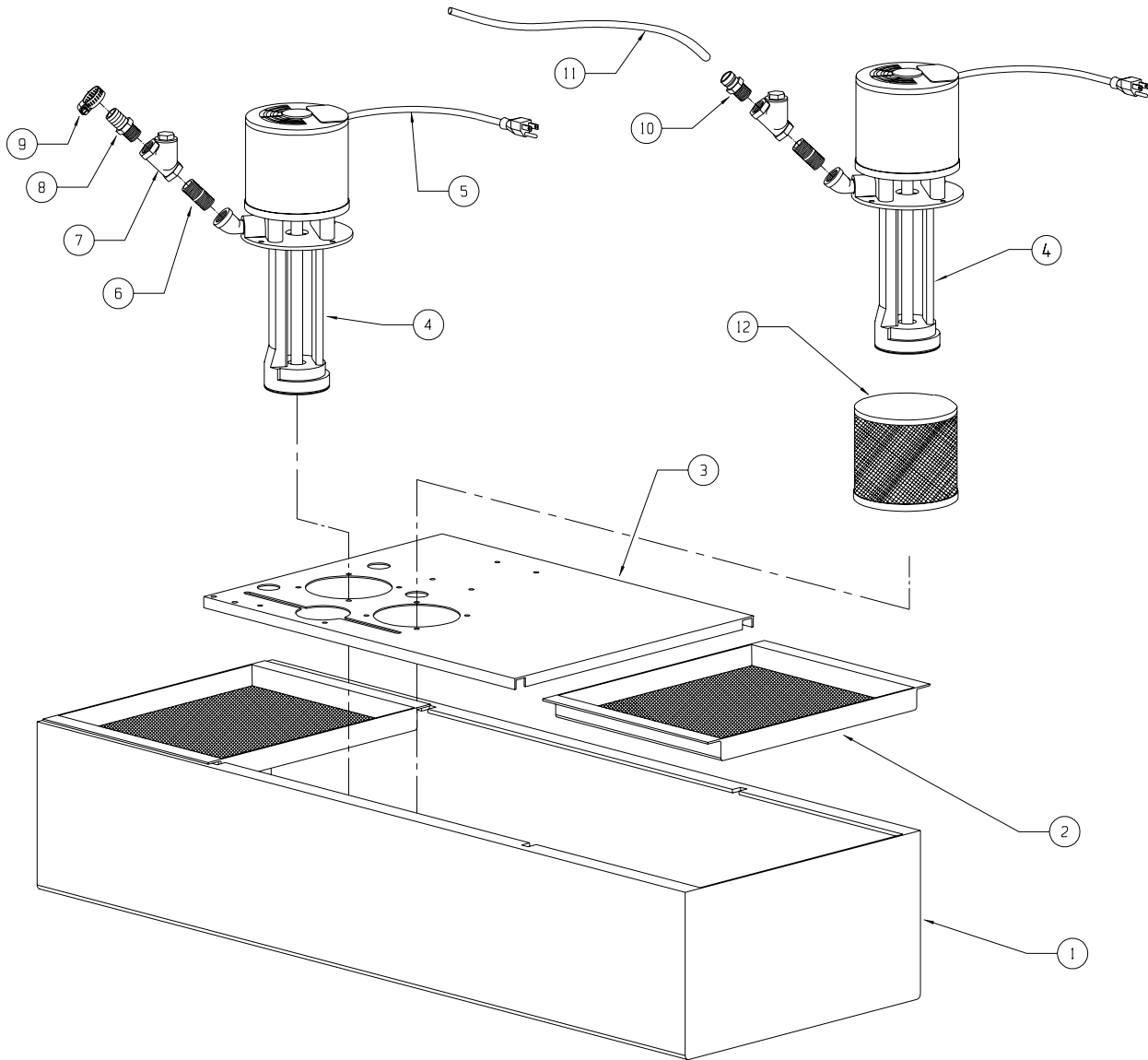
7500 RPM COOLANT THROUGH TANK



7500 RPM COOLANT THROUGH TANK

	PART #		PART #		PART #
1	REG-0034	13	PLM-0089	25	PLM-0092
2	PLM-0216	14	PLM-0217	26	PLM-0099
3	PLM-0117	15	REG-0018	27	PMP-0003
4	CNT-0025	16	PLM-0060		PMP-0002
5	PLM-0213	17	PMP-0008	28	WIR-0096
6	PLM-0100	18	STM-0594	29	WIR-0517
7	CNT-0027	19	STM-0287	30	WIR-535
8	HDW-0391	20	STM-0116	31	WIR-536
9	PLM-0061	21	CNT-0029	32	PMP-0019
10	PLM-0215	22	HDW-0252	33	PMP-0007
11	PLM-0212	23	PLM-0067		
12	PLM-0104	24	VLV-0018		

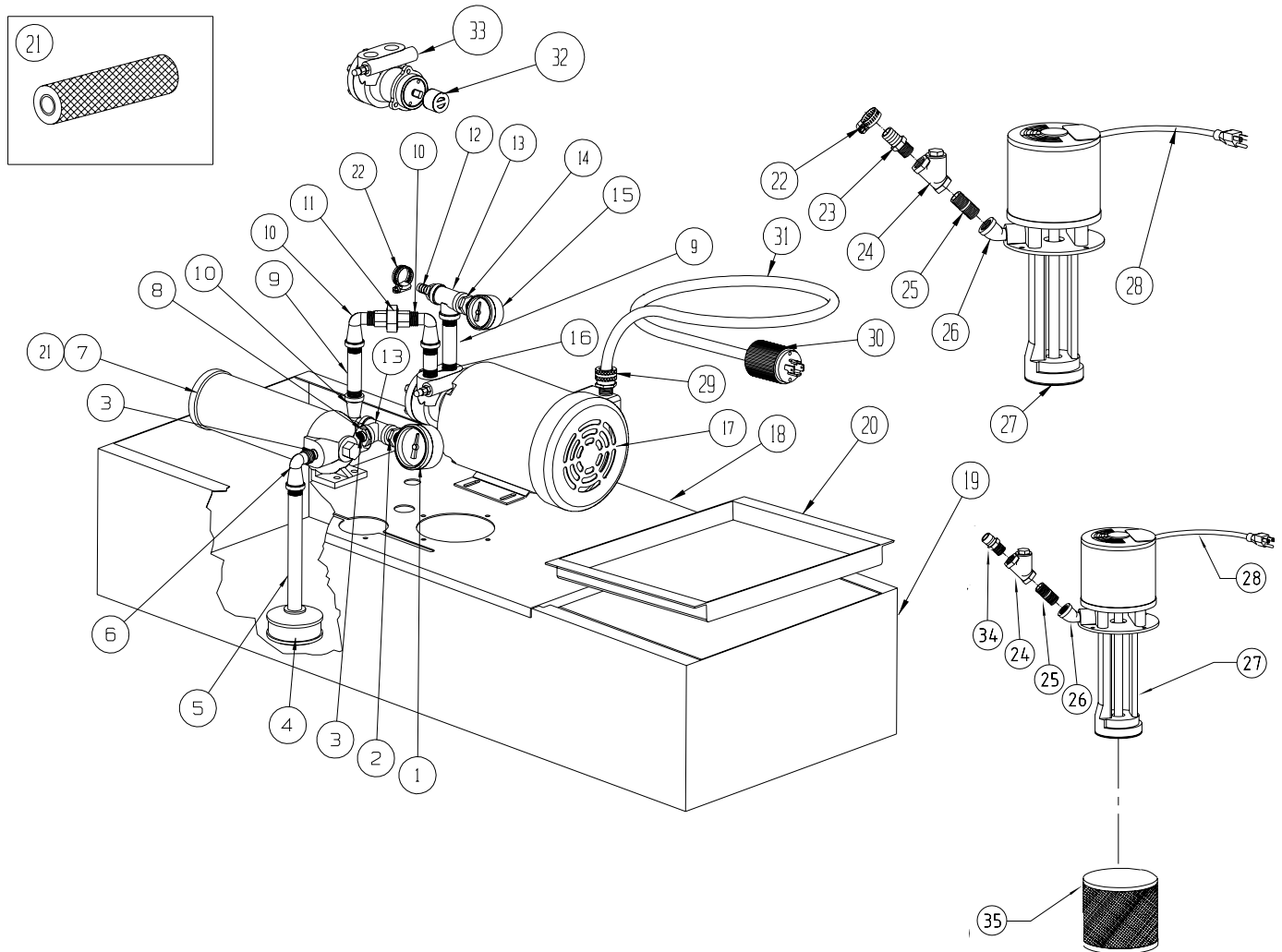
10K RPM COOLANT TANK



10,000 RPM COOLANT TANK

1	STM-0287	5	WIR-0096	9	HDW-0252
2	STM-0116	6	PLM-0092	10	PLM-0043
3	STM-0594	7	VLV-0018	11	PLM-0023
4	PMP-0017	8	PLM-0067	12	CNT-0026

10K RPM COOLANT THROUGH TANK



10,000 RPM COOLANT THROUGH TANK ASSEMBLY

	PART #		PART #		PART #		PART #		PART #
1	REG-0034	9	PLM-0061	17	PMP-0008	25	PLM-0092	33	PMP-0007
2	PLM-0216	10	PLM-0215	18	STM-0594	26	PLM-0099	34	PLM-0043
3	STM-0594	11	PLM-0212	19	STM-0287	27	PMP-0017	35	CNT-0026
4	CNT-0025	12	PLM-0104	20	STM-0116	28	WIR-0096		
5	PLM-0213	13	PLM-0089	21	CNT-0029 ⁽¹⁾	29	WIR-0517		
6	PLM-0100	14	PLM-0217	22	HDW-0252	30	WIR-0535		
7	CNT-0027 ⁽¹⁾	15	REG-0018	23	PLM-0067	31	WIR-0536		
8	HDW-0391	16	PLM-0060	24	VLV-0018	32	PMP-0019		