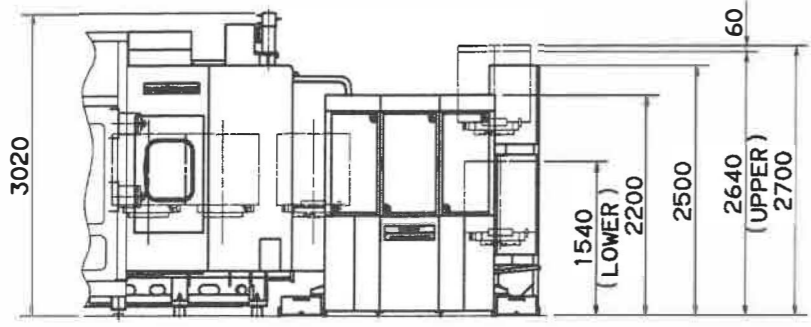
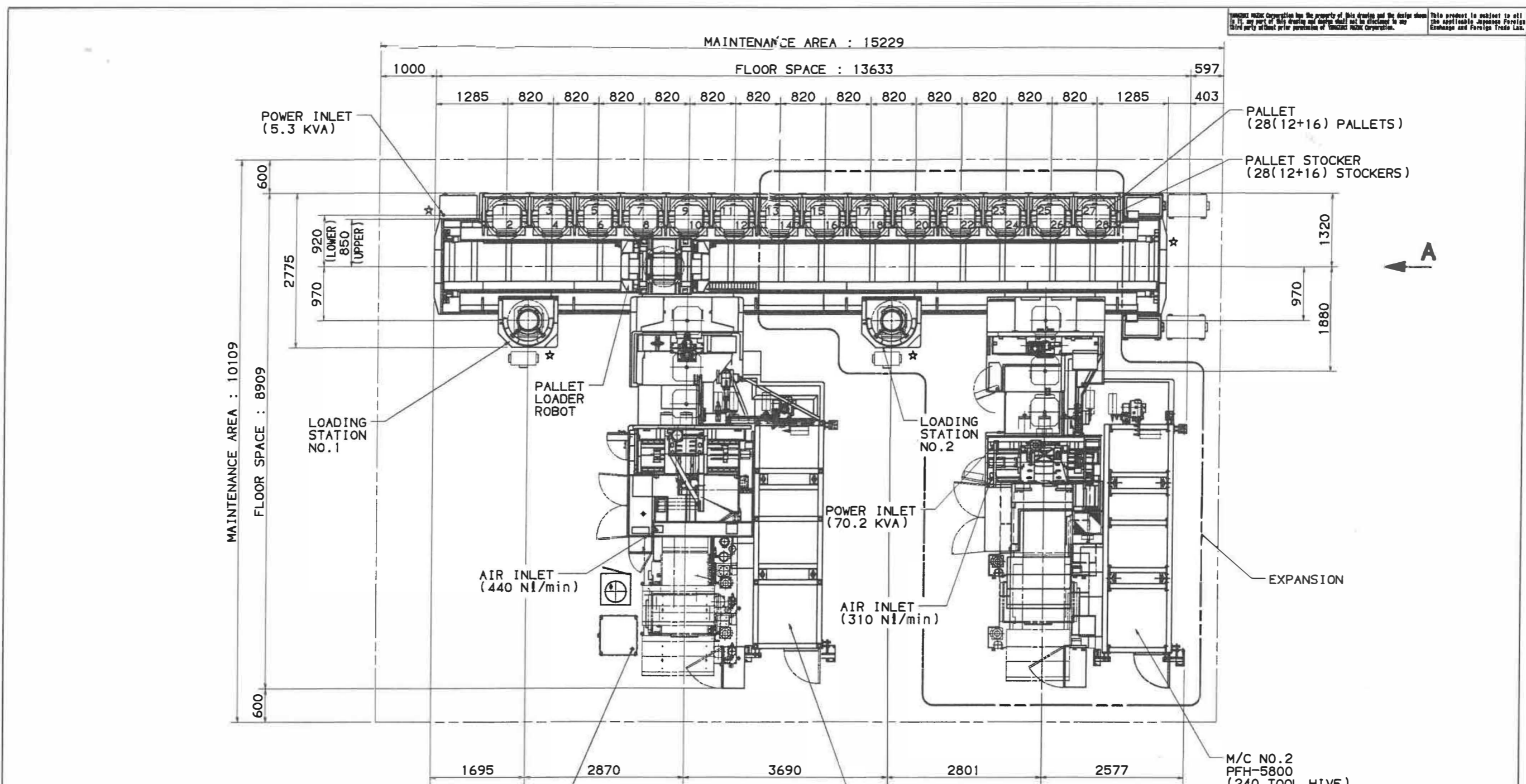


YAMAZAKI MACHINERY Corporation has the property of this drawing and the design shown in it. Any part of this drawing and design shall not be disclosed to any third party without the prior permission of YAMAZAKI MACHINERY Corporation. This product is subject to all the applicable Japanese Foreign Exchange and Foreign Trade Law.



VIEW A 矢視

**NOTE**

- 1) FOR MACHINE VIEW ITSELF REFER TO MACHINE'S TOP VIEW DRAWING. (M/C NO.2 DRAWING NO.0263TV50010)
- 2) STOCKER(PALLET) POSITIONING NUMBER IS SHOWN AS FOLLOWS.  
 \* LOWER STOCKER---SHOWN AS AN ODD NUMBER  
 \* UPPER STOCKER---SHOWN AS AN EVEN NUMBER
- 3) PALLETECH EMERGENCY SWITCHES ARE LOCATED AT "MARKED \*".

APP'D  
070704  
K.KAINUMA

				THIRD ANGLE PROJECTION				
APP'D	CHK'D	DSGN	DRAWING					
070702	070702	000919	000919					
M.ISHIHARA	M.ISHIHARA	H.ASAI	SHINOHARA					
SCALE		NAME						
1/50		PALLETECH HIGH RISE SYSTEM (FH-5800, PFH-5800) FLOOR LAYOUT						
1 - ALL	070702	918-066M	SUZUKI	DRAWING NO.	2	918	TV 0008	1
QTY	DATE	DC NO.	SIGN					

Mazak

