

4. DIMENSIONAL DRAWINGS

In this section, information for machine dimensional drawings is as below:

4.1 Layout Drawing

4.2 Foundation Drawings

4.3 Interference drawings

4.1 Layout Drawing(G6/80T Arm-type tool magazing)

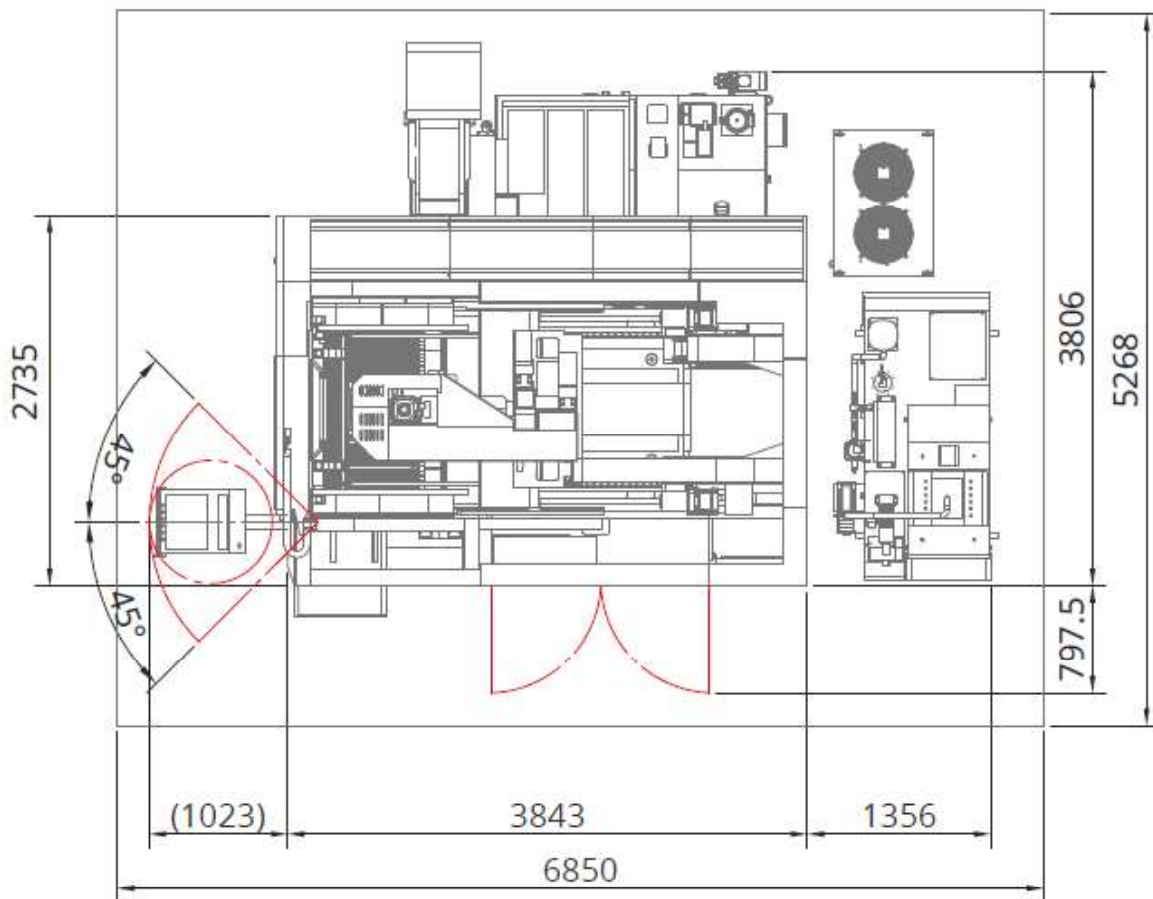


Fig. 3 Machine layout drawing

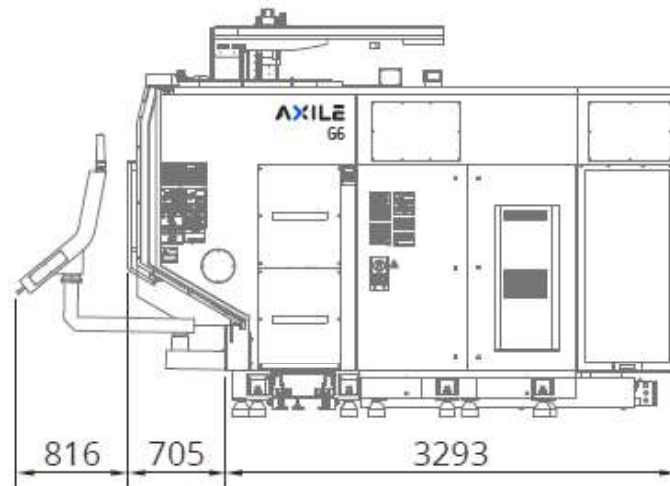
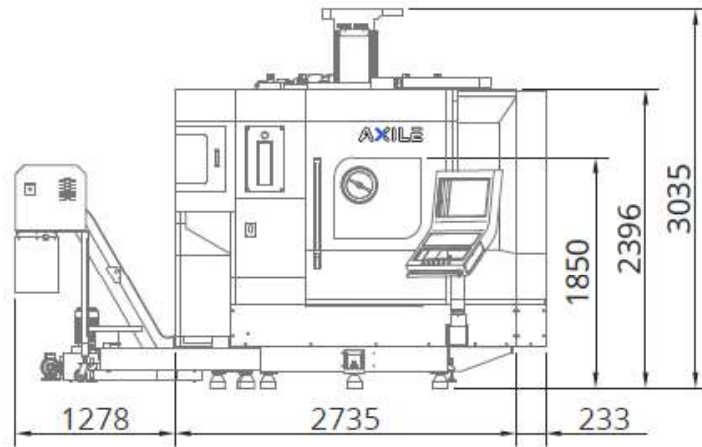
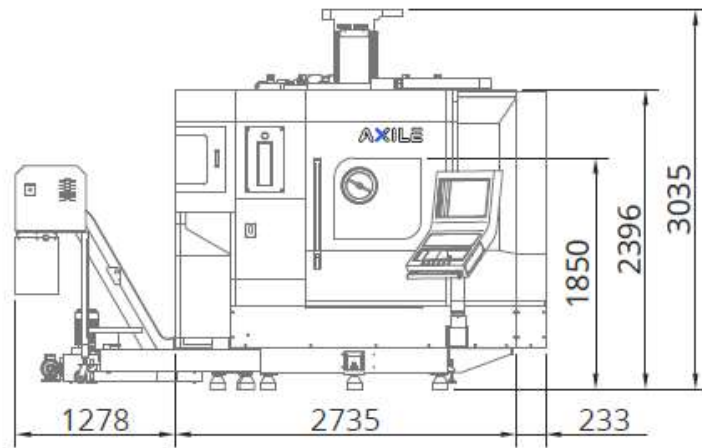


Fig. 4 Machine layout drawing

4.2 Foundation Drawings

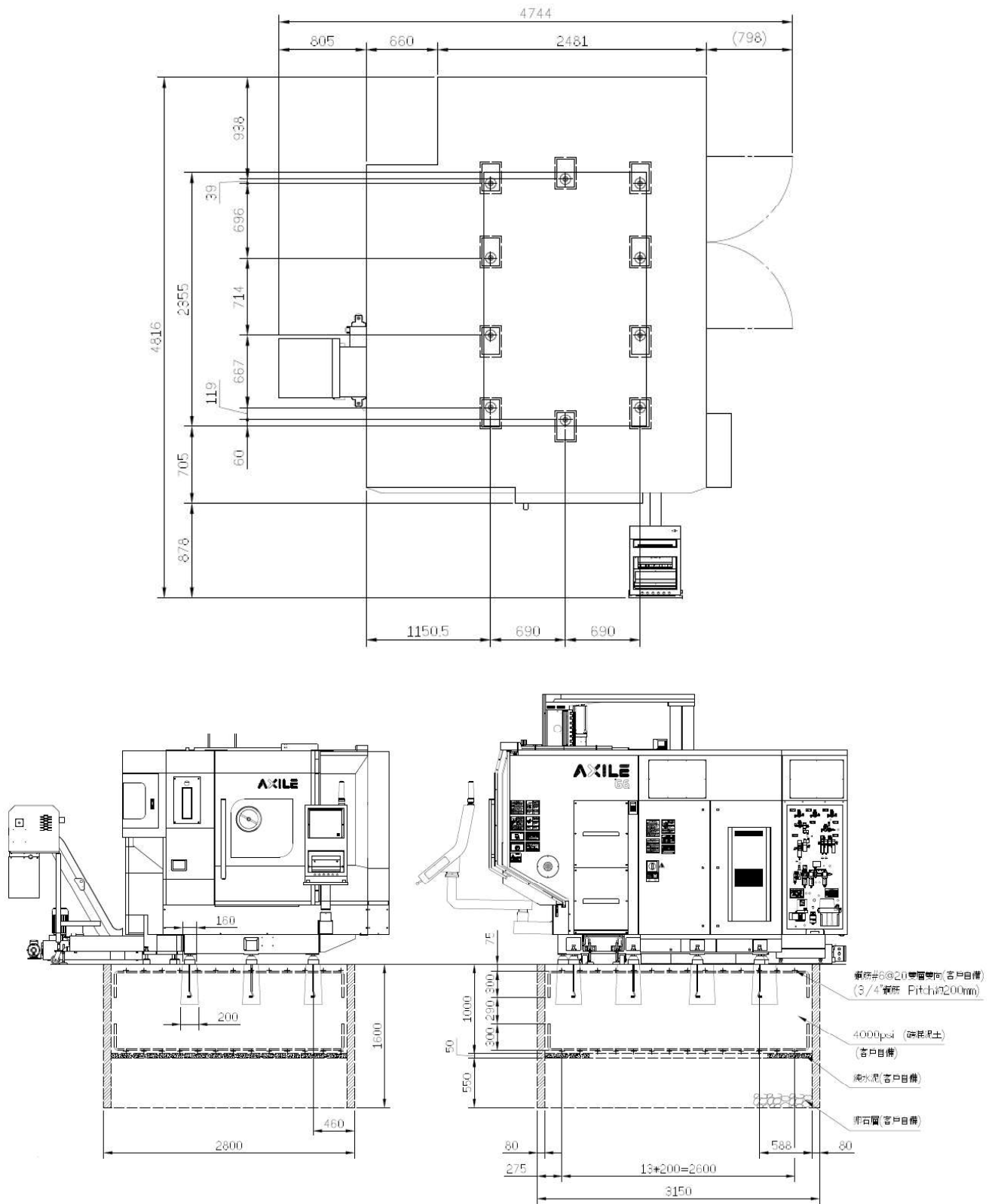


Fig. 5 Foundation dimensional drawing