



Productive. Intuitive.
Cost-effective.
LRX EasyControl linear robot

Engineering Passion

KraussMaffei

LRX EasyControl facts and figures



LRX EasyControl: Intuitive operation and programming thanks to the EasyControl system

Models	LRX EasyControl 50, LRX EasyControl 100, other sizes up to LRX EasyControl 1000 in preparation
Application areas	Simple pick & place automation tasks
Special features	Speed, precision, durability, efficiency
Working space	Cuboid-shaped room
Payload	5 - 100 kg*
Wrist axes	Pneumatic and servomotor-controlled
Standard accessories	Wrist axes, conveyor belts, safety housing
Control system concept	EasyControl (the look and feel alike MC6)
Clamping force range	250 kN to 3,000 kN*
Transfer variants	Non-operator side

* depending on the size

Productive. Intuitive. Cost-effective. LRX EasyControl Linear Robot

Automation is currently a critical factor for creating value in injection molding production. Fast, reliable component demolding lays the foundation for state-of-the-art systems to achieve high productivity and short cycle times.

The LRX EasyControl linear robots that we offer you are specifically designed for easy pick & place tasks. KraussMaffei machines and machines from other manufacturers benefit equally from this stand-alone concept. It allows you to make efficient and economical use of our extensive experience in process and production optimization using linear robots. And you can be confident that the robots will live up to the KraussMaffei quality you are used to. The specially designed EasyControl control system allows for getting started fast and a short start-up process.

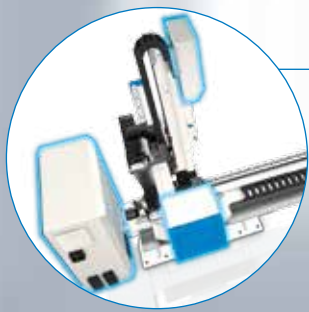
Your benefits at a glance

- KraussMaffei's "Made in Germany" production quality
- Attractive price/performance ratio
- Intuitive operation and programming in the KraussMaffei MC6 look and feel
- Easy expansion of functions
- Compatible with the MC6 control system
- Up to 30% faster start-up thanks to easy programming

A fascinating tour of the LRX EasyControl

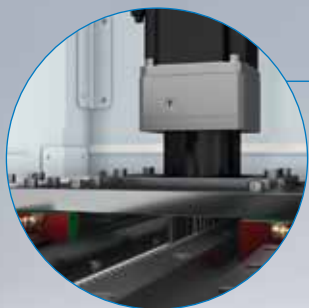
A flexible stand-alone design for hardware and operation

As a stand-alone design, the LRX EasyControl robot can be adapted for use on all machines, regardless of manufacturer. We made this possible by modeling EasyControl for operation and control after the MC6 system. User interfaces have been adapted to the expertise of the users and make programming easier. LRX EasyControl – the reliable production partner.



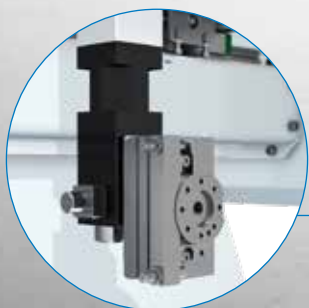
Ideal accessibility with the decentralized control cabinet concept

More freedom for maintenance and service in production. Protected against water and dirt particles with the protection rating IP54 and optimized heat dissipation due to active ventilation during operation.



Impressive precision with rack-and-pinion drive

Rack-and-pinion drive for high-precision robot positioning with fast movements in all axes.



Compact and light: the new wrist axes

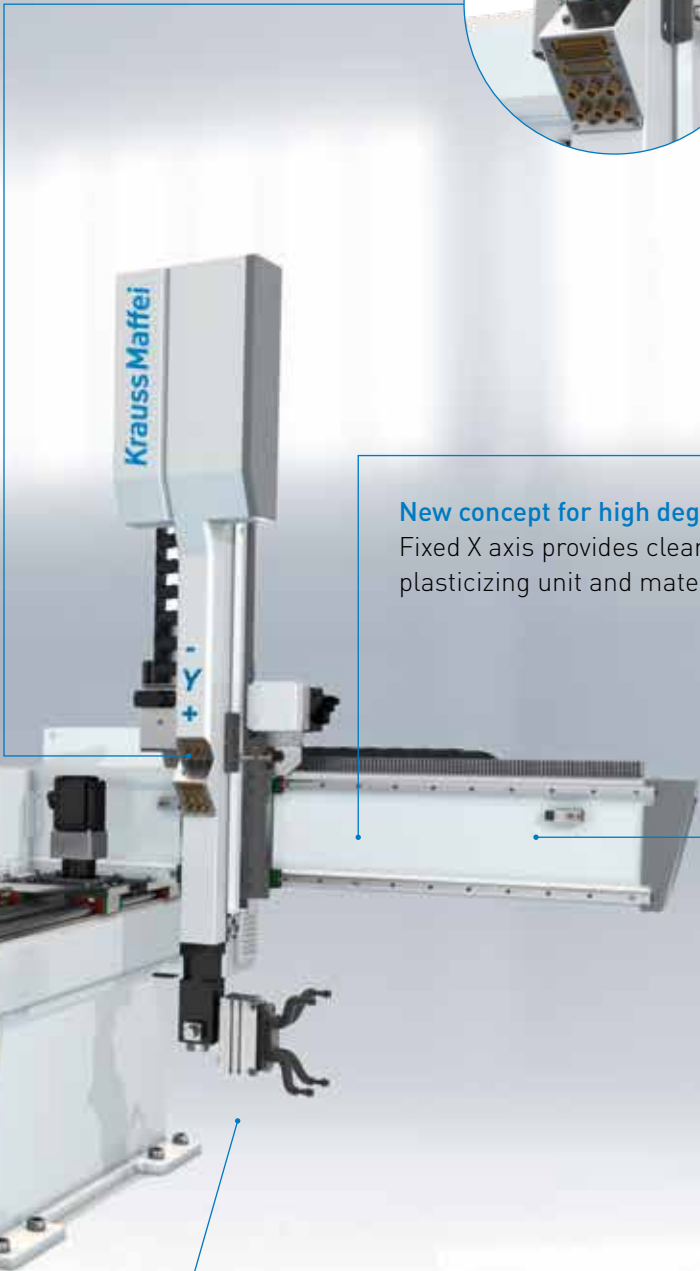
Servo wrist axes optimized in design and weight increase productivity by saving process times.





Fast and flexible with the central media portal

Central media supply allows simple gripper change and provides modular expandability of gripper functions.



New concept for high degree of safety

Fixed X axis provides clear access to plasticizing unit and material supplies.

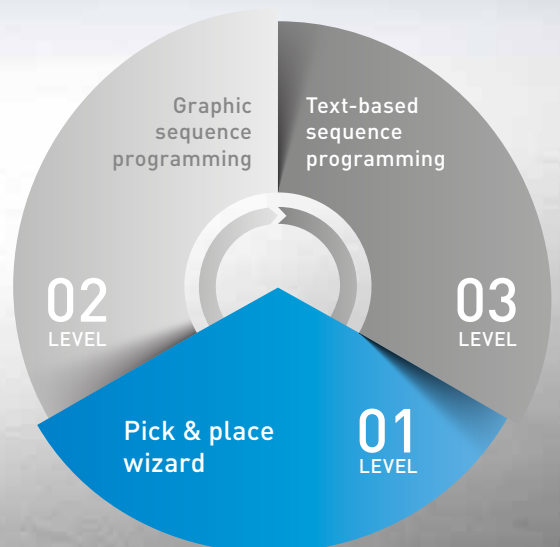


Operation with the "convenience" factor

EasyControl features interfaces based on the MC6 control system and has been adapted to the expertise of the user. As a result, it simplifies daily work and makes it easier to program new sequences.

EasyControl – intuitive operation and programming

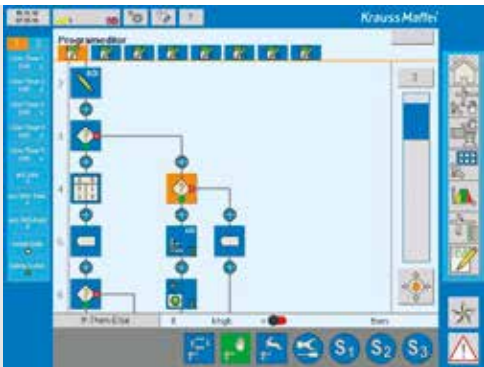
The new control system conforms to the concept of the LRX EasyControl. The system features a hand-held HMI to allow for fast start-up and easy operation. Depending on the task, programming can be done graphically or using a text editor.



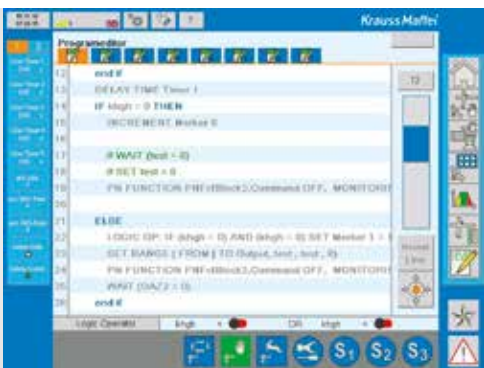
EasyControl – Effortless program navigation



The navigation overview, sidebars with current actual values and hotkeys make daily work easier.



Fast, reliable, intuitive:
Graphic sequence programming



Text-based programming for custom optimization of sequences.

The basic requirements for a state-of-the-art robot control system are as follows: simple, intuitive and versatile. Based on these ideas, we have developed a new control system called EasyControl specifically for the LRX EasyControl series.

The system follows the same principle as the tried-and-tested KraussMaffei MC6 control system. This way, the operator will not have any trouble thanks to the familiar look and feel of the system.

Intuitive programming

Programming can be carried out on one of three levels depending on the difficulty of the task: level 1, which uses pre-programmed sequences guided by the Pick&Place Wizard, level 2, which uses graphic sequence programming or level 3 involving a text-based program editor. Depending on the specific user's experience level, he/she can select the right variant for the current task. This saves time and prevents errors.

Stand-alone, yet upgradeable

EasyControl has been designed as a stand-alone solution. This is what allows LRX EasyControl to function reliably in any machine environment. If necessary, you can even use the basic programs of the EasyControl control system on an MC6 control system and continue to expand them.

KraussMaffei

A strong brand in a unique global group

Cross-technology system and process solutions

Whether in Injection Molding, Reaction Process Machinery or Automation – the KraussMaffei brand stands for pioneering and cross-technology system and process solutions in plastics processing worldwide. For decades, our expertise, innovative ability and passionate commitment to plastics engineering have been your competitive edge. As a cross-industry system provider, we offer you modular and standardized systems as well as solutions customized to your needs.

There for you around the world

With our worldwide sales and service network, we offer our international customers an excellent basis for a successful business relationship. Due to the close proximity to our customers, we are able to answer your individual inquiries very quickly. We work out the best possible technical and economical solution for your product and production requirements together with you. Test our machine technology for your applications and let our experts put together an individualized service package for you.

Individualized service

Our employees from customer service, application technology and service help you with your questions and needs on every topic dealing with machines, systems and processes – around the globe, quickly and with a high level of expertise. We have developed an extensive customized service spectrum with our lifecycle design, which accompanies you throughout the entire lifecycle of your machines and systems. Take advantage of the personal interaction and flexibility we offer in our practically oriented seminars. We carry out customer-specific trainings either at your location or at our sales and service locations.

You can find additional information about KraussMaffei at: www.kraussmaffeigroup.com

KraussMaffei Group

Comprehensive expertise

Unique selling proposition Technology³

The KraussMaffei Group is the only provider in the world to possess the essential machine technologies for plastics and rubber processing with its KraussMaffei, KraussMaffei Berstorff and Netstal brands: Injection Molding Machinery, Automation, Reaction Process Machinery and Extrusion Technology.

The group is represented internationally with more than 30 subsidiaries and over ten production plants as well as about 570 commercial and service partners. This is what makes us your highly skilled and integrated partner. Use our comprehensive and unique expertise in the industry.

You can find additional information at: www.kraussmaffeigroup.com



The KraussMaffei Group has a global presence. Countries with subsidiaries are marked in dark blue. In the white-colored regions, the Group is represented by over 570 sales and service partners.

Productive.
Intuitive.
Cost-effective.
LRX EasyControl
Linear robot



Automation is currently a critical factor for creating value in injection molding production. Fast, reliable component demolding lays the foundation for state-of-the-art systems to achieve high productivity and short cycle times.

The LRX EasyControl linear robots that we offer you are specifically designed for easy pick & place tasks. KraussMaffei machines and machines from other manufacturers benefit equally from this stand-alone concept. It allows you to make efficient and economical use of our extensive experience in process and production optimization using linear robots. And you can be confident that the robots will live up to the KraussMaffei quality you are used to. The specially designed EasyControl control system allows for getting started fast and a short start-up process.

